

1Ø3W—120/240 Vac—UL Listed Main Lugs



QO120L125G



QO816L100F or S
without cover

Product Selector

Table 1.17: Main Lugs (Accepts Only QO Plug-On Circuit Breakers)

Mains Rating	Space- s	Max. 1P Circuits [1]	Max. Tandem Circuit Breakers	Load Center Box and Interior	Indoor Cover with Door (Order Separately)		Main Wire Size AWG/kcmil		Equipment Ground Bar Kit (Order Separately)	Box No. [2]
					Flush	Surface	Al	Cu		
Fixed Mains—Factory-Installed Main Lugs—10 kA Short Circuit Current Rating [3]										
30 A	2	2	0	QO2L30S [4] [5]	Cover Included—Without Door		12–10	14–10	PK3GTA1	1
70 A	2	4	2	QO24L70F/S [6] [7]	Cover Included—Without Door		12–3	14–4	PK4GTA	2
100 A	6	12	6	QO612L100F/S [6] [8]	Cover Included—Without Door		8–1		PK7GTA	4
	6	12	6	QO612L100DF/S [6] [8]	Cover Included—With Door				PK7GTA	4
	8	16	8	QO816L100F/S [6] [8]	Cover Included—Without Door				PK7GTA	4
	8	16	8	QO816L100DF/S [6] [8]	Cover Included—With Door				PK7GTA	4
	6	12	6	QO612L100DFCU/SCU [6] [8] [9]	Cover Included—With Door				PK7GTA	4
	8	16	8	QO816L100DFCU/SCU [6] [8] [9]	Cover Included—With Door				PK7GTA	4
125 A	4	8	4	QO148L125GF/S [6] [10]	Cover Included—Without Door		12–2/0	14–2/0	PK7GTA [11]	21
Convertible Mains—Factory-Installed Main Lugs—65 kA Short Circuit Current Rating QOM1 Main Frame Size—Convertible to Main Circuit Breaker—Cu Bus [3] [12]										
125 A	12	12	0	QO112L125G	QOC16UF	QOC16US	6–2/0		PK9GTA [11]	6
	12	24	12	QO11224L125G	QOC16UF	QOC16US			PK15GTA [11]	6
	16	16	0	QO116L125G	QOC24UF	QOC24US			PK12GTA [11]	7
	16	24	8	QO11624L125G	QOC24UF	QOC24US			PK15GTA [11]	7
	20	20	0	QO120L125G	QOC20U100F	QOC20U100S	6–2/0	6–1	PK15GTA [11]	6
	20	24	4	QO12024L125G	QOC20U100F	QOC20U100S	6–2/0	6–1	PK15GTA [11]	6
	24	24	0	QO124L125G	QOC24UF	QOC24US	6–2/0		PK15GTA [11]	7
32	32	0	QO132L125G	QOC32UF	Use Flush	PK23GTA, LK100AN [11]			8	
Convertible Mains—Factory-Installed Main Lugs—65 kA Short Circuit Current Rating—Convertible To Main Circuit Breaker—Cu Bus [3] [12]										
150 A	20	30	10	QO12030L150G	QOC30UF	QOC30US	6–250		PK23GTA, LK100AN [11]	9
	24	24	0	QO124L150G	QOC30UF	QOC30US			PK15GTA [11]	9
	30	30	0	QO130L150G	QOC30UF	QOC30US			PK23GTA, LK100AN [11]	9
200 A	12	12	0	QO112L200G	QOC30UF	QOC30US	6–250		PK15GTA [11]	9
	24	36	12	QO12436L200FT [13]	QOC40UF	QOC40US			PK23GTA, LK100AN [11]	10
	30	30	0	QO130L200G	QOC30UF	QOC30US			PK23GTA, LK100AN [11]	9
	30	40	10	QO13040L200G	QOC30UF	QOC30US			PK23GTA, LK100AN [11]	9
	40	40	0	QO140L200G	QOC40UF	QOC40US			PK23GTA, LK100AN [11]	10
	40	60	20	QO14060L200G	QOC40UF	QOC40US			(2) PK15GTA [11]	10
	42	52	10	QO14252L200G	QOC42UF	QOC42US			(2) PK15GTA [11]	11
225 A	42	42	0	QO142L225G	QOC42UF	QOC42US	6–300	PK23GTA, LK100AN [11]	11	
Fixed Mains—Factory-Installed Main Lugs—65 kA Short Circuit Current Rating [3] [12]										
400 A	30	30	0	QONQ30LS400 (Int) [14]	NC50NQVF	NC50NQVS	(1) 1/0–750 or (2) 1/0–300		PK27GTA [15] or PK15GTA6	15
				MH50 (box) [16]						15
	42	42	0	QONQ42LS400 (Int) [14]	NC50NQVF	NC50NQVS			15	
				MH50 (box) [16]					15	

Above listings through 200 A mains rating meet Federal Specification W-P-115C as Type 1, Class 2.

[1] Maximum single pole branch circuits utilizing QO and/or QOT circuit breakers.
 [2] See Table 1.53 Knockout Information, page 1-21
 [3] UL short circuit current rating depends on lowest interrupting rating of circuit breaker installed.
 [4] Will not accept QO-EPD or Qwik-Gard™ QO-GFI or QO-AFI circuit breakers.
 [5] Mains rated 25 A when Al wire is used.
 [6] Order F for flush device or S for surface device.
 [7] Use 10 AWG maximum size wire for GFI and AFI circuit breakers.
 [8] 70 A Max. branch circuit breaker and 100 A max. back fed main circuit breaker.
 [9] CU indicates copper bus.
 [10] Copper bus.
 [11] Factory-included.
 [12] UL Listed 5000 A short circuit current rating for corner grounded Delta systems. Use QO-H circuit breakers only.
 [13] Supplied with feed-thru lugs.
 [14] Interior only, order box separately.
 [15] PK27GTA includes a 6–2/0 AWG Al/Cu lug.
 [16] PE1A Discount Schedule.

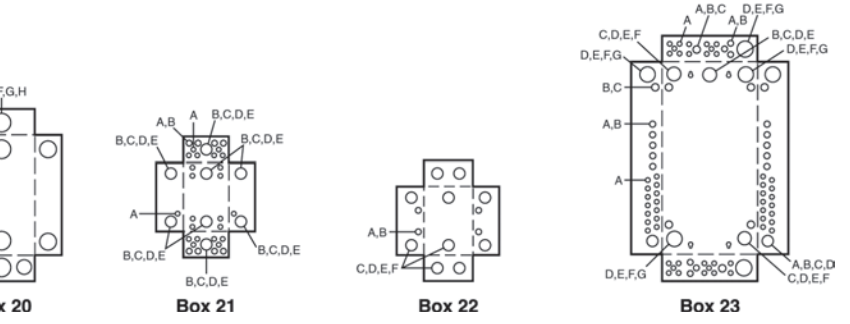
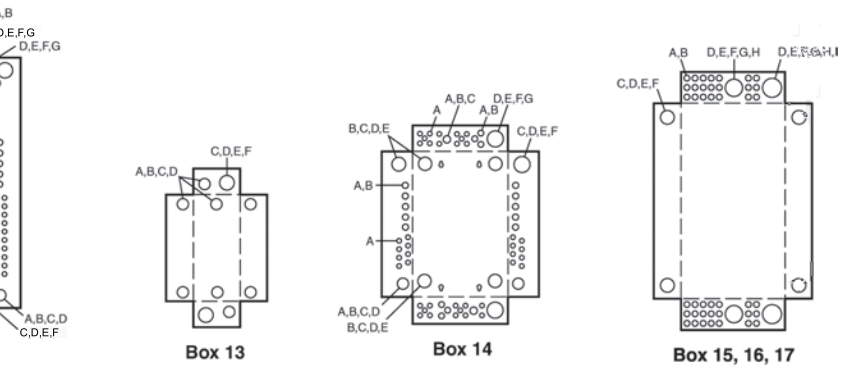
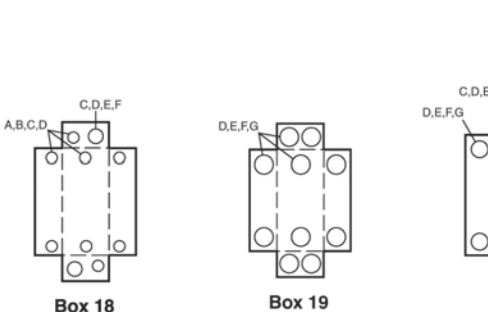
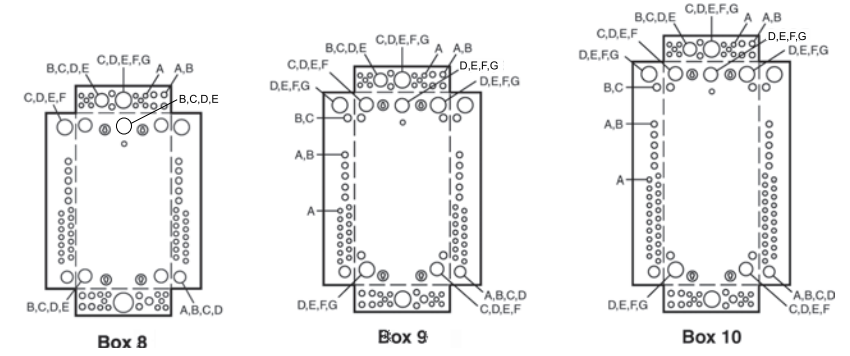
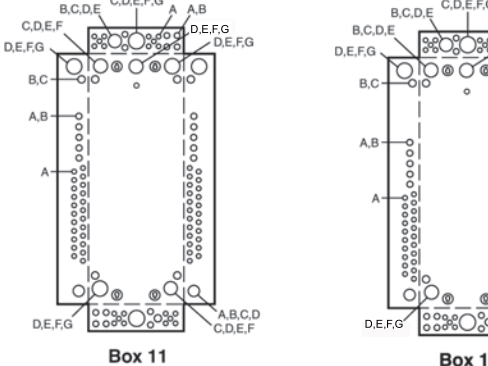
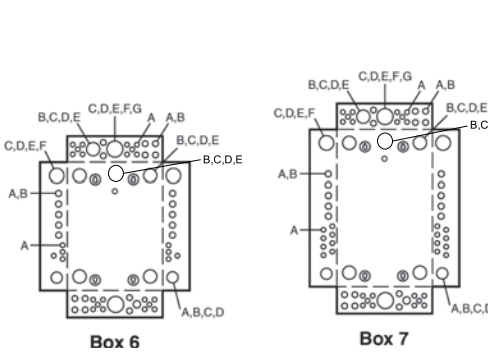
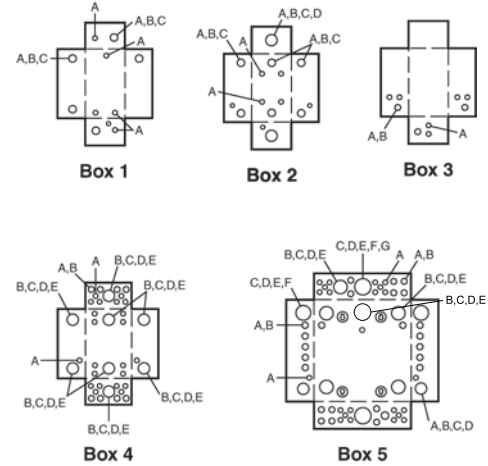
Indoor Knockout Information and Enclosure Dimensions

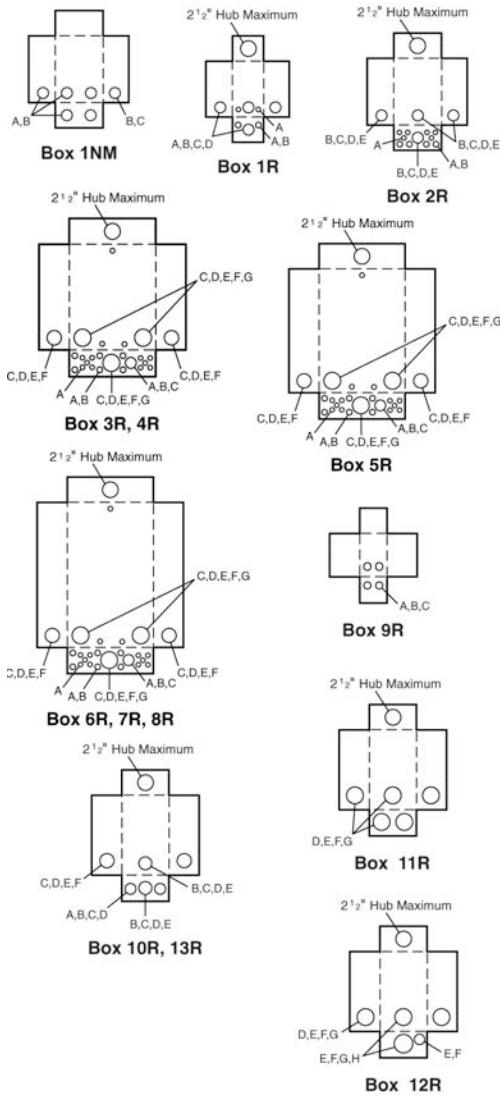
Table 1.52: Enclosure Dimensions

Box No.	Dimensions			Dimensions			Box No.	Dimensions			Dimensions		
	W	H	D	W	H	D		W	H	D	W	H	D
	in.	mm	in.	mm	in.	mm		in.	mm	in.	mm	in.	mm
1	3.81	97	6.72	171	3.00	76	13	5.88	149	13.12	333	3.38	86
2	4.81	122	9.30	236	3.19	81	14	14.25	362	20.92	531	3.75	95
3	4.81	122	9.30	236	3.19	81	15	20.00	508	50.00	1270	5.75	146
4	8.88	226	12.57	319	3.80	97	16	20.00	508	62.00	1727	5.75	146
5	14.25	362	14.92	379	3.75	95	17	20.00	508	53.00	1346	5.75	146
6	14.25	362	17.92	455	3.75	95	18	5.88	149	16.12	409	3.38	86
7	14.25	362	20.92	531	3.75	95	19	7.56	192	23.12	587	4.25	108
8	14.25	362	26.04	661	3.75	95	20	9.62	244	26.12	663	4.75	121
9	14.25	362	29.86	758	3.75	95	21	8.88	226	14.80	376	3.80	97
10	14.25	362	33.78	858	3.75	95	22	8.55	217	23.92	608	3.95	100
11	14.25	362	37.98	965	3.75	95	23	14.25	362	29.86	758	3.75	95
12	14.25	362	39.37	1000	3.75	95	24	14.25	362	43.15	1096	3.75	95
							25	14.25	362	48.50	1235	3.75	95

Table 1.53: Knockout Information

Symbol	Knockouts								
	A	B	C	D	E	F	G	H	I
Conduit Size	1/2	3/4	1	1-1/4	1-1/2	2	2-1/2	3	3-1/2





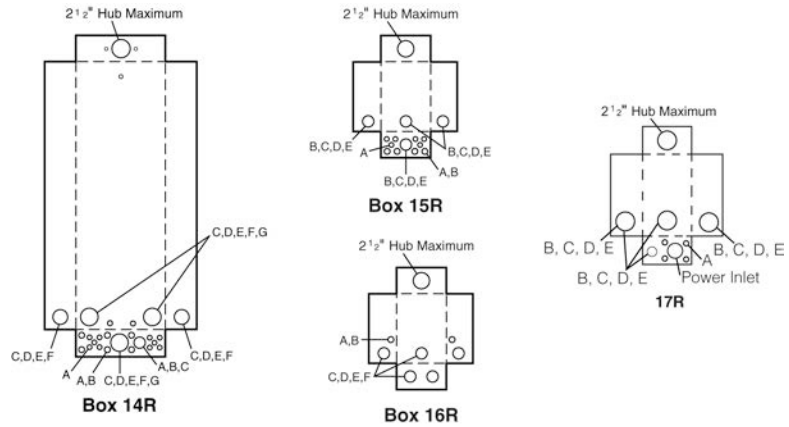
Enclosure Dimensions and Knockout Information

Table 1.54: Enclosure Dimensions

Box No.	Dimensions					
	W		H		D	
	in.	mm	in.	mm	in.	mm
1NM	6.52	166	8.79	223	3.90	99
1R [1]	4.88	124	9.38	238	4.00	102
2R	8.88	226	12.65	321	4.27	108
3R	14.75	375	18.92	481	4.52	115
4R	14.75	375	22.06	560	4.52	115
5R	14.75	375	26.04	661	4.52	115
6R	14.75	375	29.86	758	4.52	115
7R	14.75	375	33.78	858	4.52	115
8R	14.75	375	37.98	965	4.52	115
9R	4.56	116	6.50	165	3.88	99
10R	6.92	176	13.18	335	4.12	105
11R	7.56	192	23.24	590	4.75	121
12R	9.62	244	26.24	666	5.50	140
13R	6.92	176	16.18	411	4.12	105
14R	14.75	375	39.37	1000	4.52	115
15R	8.88	226	14.80	376	4.27	108
16R	8.55	217	24.75	629	4.16	106
17R	8.88	226	12.65	321	4.27	108

Table 1.55: Knockout Information

Symbol	Knockouts							
	A	B	C	D	E	F	G	H
Conduit Size	1/2 in.	3/4 in.	1 in.	1-1/4 in.	1-1/2 in.	2 in.	2-1/2 in.	3 in.



Bolt-On Hubs

Square D equipment with "R" or "RB" suffix, designated NEMA 3R rainproof construction, utilizes bolt-on hubs listed below. "RB" devices will accept 3/4 in. through 2-1/2 in. bolt-on hubs without the use of reducers. Off-center conduit thread openings and elongated mounting holes provide quick and easy adjustment to eliminate costly conduit offsets and bends. Catalog suffix "R" devices require 3 in. through 4 in. field cut opening. Hubs are suitable for use with conduit having ANSI standard taper pipe thread.



Table 1.56: Bolt-On Hubs UL Listed for "RB" Devices

Conduit Size	3/4 in.	1 in.	1-1/4 in.	1-1/2 in.	2 in.	2-1/2 in.
Hub Cat. No.	B075	B100	B125	B150	B200	B250

NOTE: Closing cap (Cat. No. BCAP) is provided factory-installed on each device having "RB" suffix.

Table 1.57: Bolt-On Hubs UL Listed for Mounting in Field-Cut Opening

Conduit Size	3 in.	3-1/2 in.	4 in.	
Hub Cat. No.	B300	B350	B400	Designed for mounting in field cut opening. Includes gasket and four mounting bolts and nuts.

[1] HOME250SPA and QO260NATR top endwall has no hub opening.

Table 1.63: Hubs and Closing Plates

Hub Series	Conduit Size (Inches)	Cat. No.	Disc. Sch.
Closing Plate for "A" Hub opening			
A	1.00	A100	DE4
	1.25	A125	DE4
	1.50	A150	DE4
	2.00	A200	DE4
	2.50	A250	DE4
Adapter plate to allow use of "A" Hubs on "A-L" size hub openings		AAP	DE4
Closing Plate for "A-L" Hub opening			
A-L	2.00	A200L [68]	DE4
	2.50	A250L	DE4
	3.00	A300L	DE4
	3.50	A350L	DE4
	4.00	A400L	DE4
Closing Plate for "B" Hub opening			
B	0.75	B075	DE1A
	1.00	B100	DE1A
	1.25	B125	DE1A
	1.50	B150	DE1A
	2.00	B200	DE1A
	2.50	B250	DE1A
B300	3.00	B300	DE1A

Accessories and Hubs for CSEDs

Table 1.64: Accessories

Description	Cat. No.	Disc. Sch.
Generator Kit: Interlocks main service disconnect and generator circuit breaker (order separately). For : Homeline™ CSED Devices RC816F-, RC2040M-, SO2040M- containing suffix -C or -CH QO CSED Devices QC816F-, QC2442M- containing suffix -C or -CH	RCGK2 QCGK3	DE4 DE4
Backfed inverter circuit breaker retaining kit for SC2636M200FPV and SC2636M225FPV	PK2SCPV	DE4
Fifth Jaw Kit for: Meter Main Types: C, RC, SC, QC All-In-One Types: SC, SU (100–225 A), QC, RC, SO	5J	DE4
Bypass (Horn Type) for Ringless Type Meter Mains and All-In-Ones (100–200 A) (except for RC8L125S, RC1624M100S and RC1624M125S—use RCHB).	MMHB	DE4
Lexan Meter Socket Cover Plate for: Ring and Ringless Type Meter Mains Ring and Ringless Type All-In-Ones	29007	DE4
Meter Socket Sealing Rings for Ring Type Meter Mains and All-In-Ones: Snap Type Aluminum (Std.) Screw Type Aluminum Snap Type Stainless Steel	2920910001 29008W ARP00026	DE5 DE4 DE4
Anti-Inversion Kit . For use ONLY on 400 A Meter Mains and All-In-Ones with lever bypass.	MMLRK	DE4
Trim Kit for 2 in. X 6 in. stud wall, used with Reverse All-In-Ones, SU3040M200R, and SU3040M225R	SU2X6TRIM	DE4
Barrel Lock Kit (Barrel Lock not included), supplied with bracket and mounting screw, refer to listings for where used.	SCBRLLOCK	DE4
Semiflush Flange Kit for: Meter Mains: SC816D150/200C and RC816D200CH All-In-Ones: SC2040M200C	SC200F	DE4
Semiflush Flange Kit for ring- and ringless-type Meter Mains and All-In-Ones (400 A Only)	FK400	DE4
Ringless Type Utility Cover for RU3040D400CL/FL, QU12L400CL/FL, and QU816D400CL/FL. Includes one piece meter socket and pull box cover with handles and closing plate.	R400L	DE4
Lug Kit includes (4) lugs, for use with 2 AWG–600 kcmil Al/Cu conductors. Lugs are for standard 2-Hole mounting. Meter Main and All-In-One units supplied with (2) studs per phase and neutral will accept one lug per phase and neutral. Not for use on 400 A devices with "K" suffix.	C MELK4	DE4
Branch Circuit Breaker Field Installation Kit for two Q-Frame Circuit Breakers (QBL, QDL, or QGL, order separately). For CUM400CB, QUM400CL or QUM400CK - includes (2) mounting pans, (4) wires.	BMK2Q400	DE4
Overhead Feed Trough for 400 A ring- and ringless-type Meter Mains and All-In-Ones.	OCK400	DE4
Touch-Up Paint (ASA49 Gray)	PK49SP	DE1
Ground Bar Kit, Meter Mains and All-In-Ones QC, RC, and SC (100–225 A)	PK15GTA	DE3A
Filler Plate for: Meter Main Types: QC, CU All-In-One Types: QC	QOFP	DE3A
Filler Plate for: Meter Main Types: RC, SC All-In-One Types: SC, RC, SU	HOMFP	DE3A
Neutral Lug (6-2/0 AWG) for: Meter Main Types: RC, SC, QC All-In-One Types: SC, SU, QC, RC	LK100AN	DE3A
Overhead Barrier Tunnel Kit for Ringless & Horn Bypass in RC/QC Devices	OHBS	DE4
Overhead Barrier Tunnel Kit for Lever Bypass RC/QC Devices	OHBL	DE4

[68] Supplied with AAP adapter plate and "A" hub.