

UNIRAC  
**25**  
YEAR  
FULL-SYSTEM  
WARRANTY

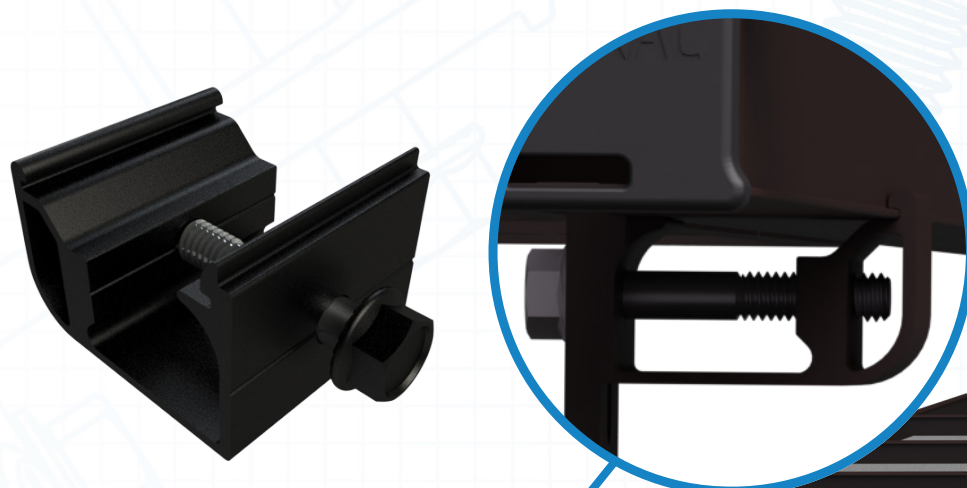
## DISCOVER NXT UMOUNT™

Introducing the Unirac NXT UMOUNT™ Solar Racking System – the culmination of over two decades of experience in the renewable energy industry. Built upon the pillars of thoughtful design, rigorous engineering, world-class support, and a reliable supply chain, the NXT UMOUNT™ is truly the embodiment of the NXT level of design, simplicity, and value.

### STRONGHOLD™ RAIL CLAMP

DARK: SHCLMPD1  
MILL: SHCLMPM1

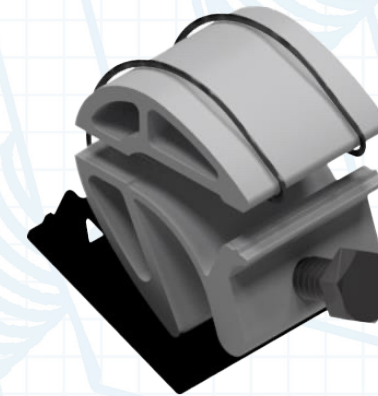
Adaptable rail connection to attachments allows click-in feature compatibility with almost all of Unirac's attachments.



### NEW NXT UMOUNT™ HIDDEN END CLAMP

NUHECLMP1

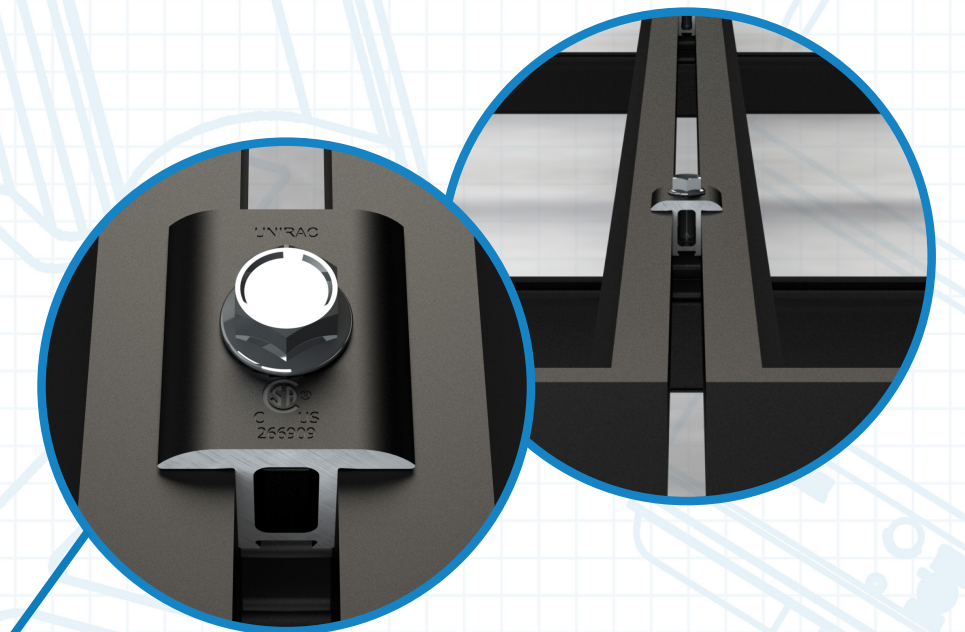
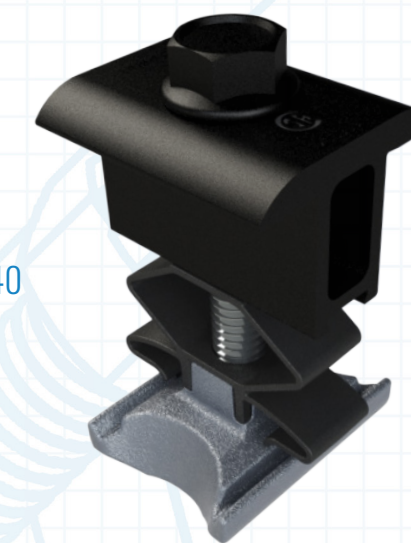
The NXT Hidden end clamp comes preassembled to the end cap with a pull wire, allowing the installer to easily slide the clamp into the rail, set the module, pull and hold the clamp in place while fastening in place, then cover the end of the rail for a sleek finish. Clamps any module with a return flange.



### NXT UMOUNT™ COMBO CLAMP

DARK: CCLAMPD1  
MILL: CCLAMPM1

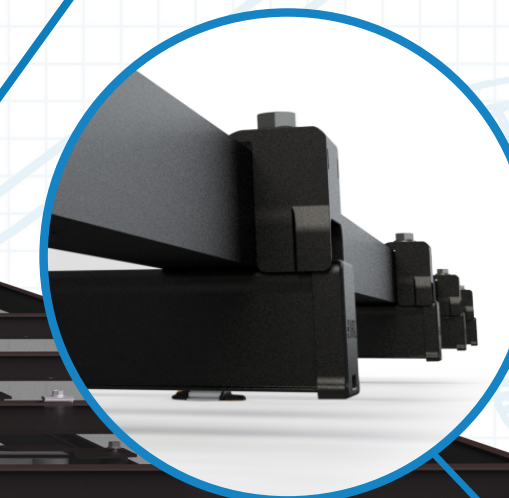
Clicks into rail anywhere (even where there are cables!) Self-standing clamp with spring combines as both mid and end clamp. Clamps 30-40 mm modules. 1/2 inch module spacing for efficiency. Unirac-quality bonding that works both as mid and end clamps.



### NXT UMOUNT™ CAP KIT

ENDCAPD1

Make the install look clean with the end cap kit designed to complement the module end clamp and rail ends.



FlashLoc technology combined with new features: click-in rail & open slot L-Foot for the best flash-less install experience.



### STRONGHOLD™ ATTACHMENT KIT

DARK: SHCPKTD1  
MILL: SHCPKTM1

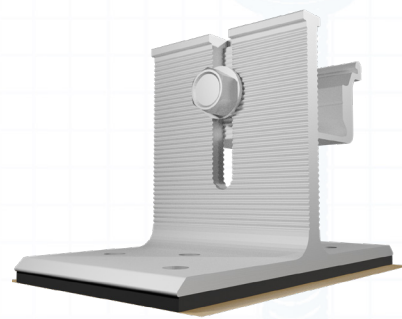
Rail clicks into the clamps attached to the STRONGHOLD™ base. Open slot in L-foot allows drop-in rail clamp.

Alternative attachment options:



SOLARHOOKS

All varieties



### BUTYL™ ATTACHMENT KIT

DARK: SHBUTYLD2  
MILL: SHBUTYLM2

The pre-applied butyl pad removes the need for additional flashing. Just peel the liner, place the attachment, and fasten it to the roof. Butyl conforms to the screws and roof for a robust, dependable seal with no extra work!

FLASHKIT PRO

DARK: 004055D  
MILL: 004055M



FLASHLOC™ DUO

DARK: 004275D  
MILL: 004275M

### DIRECT-TO-DECK SCREWS

003251W

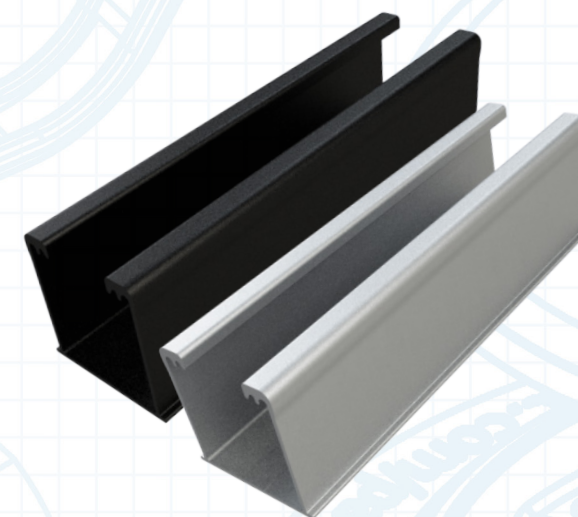
### BUTYL™ PADS

XTRABUTL-SH

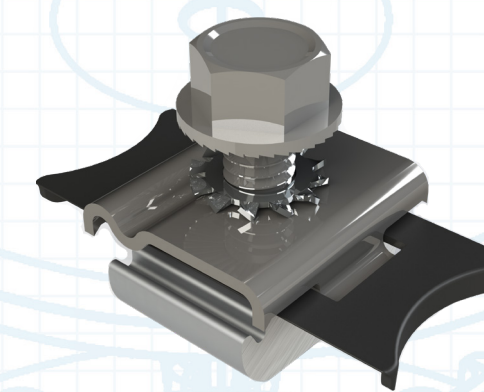
### NXT UMOUNT™ RAIL

DARK: 168RLD1  
MILL: 168RLM1

Strong, lightweight open channel rail with invisible, easy, unfailling and integrated wire management system.



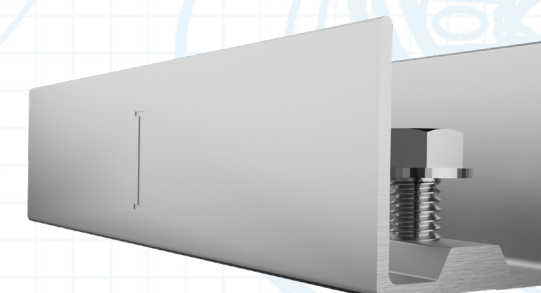
### WIRE MANAGEMENT OPTONS



### NXT UMOUNT™ RAIL SPLICE

RLSPLCM2

Structural internal splice that does not interfere with roof connection nor module connection, and can even install outside the cantilever! Pre-assembled thread cutting bolts.



### NXT UMOUNT™ MLPE & LUG CLAMP

LUGMLPE1

Works as either MLPE Mount or Grounding Lug connection to the rail. Why source two parts when one can do the job?

### NXT UMOUNT™ WIRE MANAGEMENT CLIP

WRMCLPD1

Aesthetic, yet functional accessory that works to help installers keep wires inside the rail. No zip-ties required. Optional zip tie loop for extra wire management capabilities!

### NXT UMOUNT™ N/S WIRE MGMT CLIP

WRMCNSD1

An elegant solution to help installers get to the home run. The same hardware works to provide both easy entry to rail and adjustability for cable thickness.