

“Stay Connected” with



Solar Power Components

a PennEngineering® Company

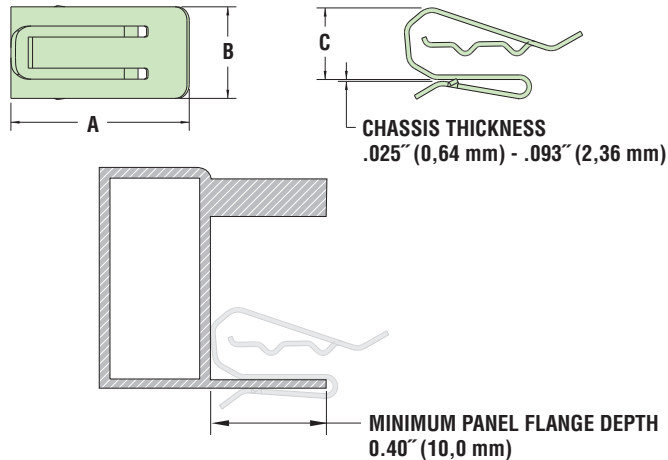


- The NEW Heyco SunRunner Short Flange attaches to newer modules with smaller frames.
- Minimum flange depth requirement of only 10 mm and holds as tight as our popular SunRunner series.
- Heyco SunRunner Clips are designed to provide a better method for PV module wire management and may be used wherever single or multiple cable management is needed.
- Smooth clip edges prevent damage to cable insulation.
- Locking tabs securely fasten clips to module extrusions, or other panels.
- Generous lead-in for installation without tools.
- Neatly dresses cables on PV panel frames or along mounting channels.
- Constructed from corrosion-resistant 304 stainless steel; not for use in a marine salt water environment.

HEYClip™ SunRunner® Short Flange Cable Clips

Double-Compression, Straight-thru Design

PANEL THICKNESS CLAMPING RANGE		WIRE DIA. RANGE		PART NO. 304 Stainless	DESCRIPTION	FOOTPRINT A x B		OVERALL HEIGHT C	
Minimum in. mm.	Maximum in. mm.	Minimum in. mm.	Maximum in. mm.			in.	mm.	in.	mm.
SunRunner Clip – for panels up to .093" (2,36 mm) thick									
.025	0,64	.093	2,36	.20" (5,1 mm) - .30" (7,6 mm) each cable	S6570	SunRunner® Short Flange 100 Pack	.97 x .50	24,6 x 12,7	.39 9,9
					S6571	SunRunner® Short Flange Bulk			

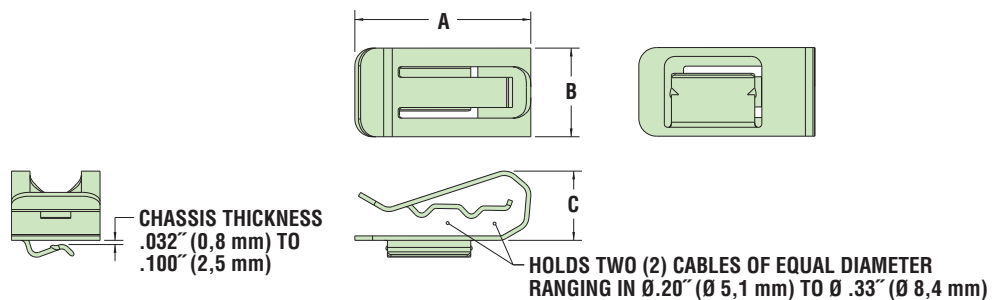


- The NEW Heyco SunRunner 90° Short Flange attaches to newer modules with smaller frames.
- Minimum flange depth requirement of only 10 mm and holds as tight as our popular SunRunner series.
- The NEW 90° orientation provides cable routing perpendicular to panel edge
- Locking tabs securely fasten clips to module extrusions, or other panels.
- Constructed from corrosion-resistant 304 stainless steel; not for use in a marine salt water environment.

HEYClip™ SunRunner® Short Flange 90° Cable Clips

Double-Compression, Right Angle Design

PANEL THICKNESS CLAMPING RANGE		WIRE DIA. RANGE		PART NO. 304 Stainless	DESCRIPTION	FOOTPRINT A x B		OVERALL HEIGHT C	
Minimum in. mm.	Maximum in. mm.	Minimum in. mm.	Maximum in. mm.			in.	mm.	in.	mm.
Double Wire 90° Clip – for panels up to .100" (2,5 mm) thick									
.032	0,8	.100	2,5	.20" (5,1 mm) - .33" (8,4 mm) each cable	S6575	SunRunner® 90° Short Flange 100 Pack	.99 x .50	25,1 x 12,7	.39 9,9
					S6576	SunRunner® 90° Short Flange Bulk			



Quick Specs

Material	.025" thick 304 Stainless Steel
Certifications	Certified by UL for Compliance with both Canadian and US Requirements under File E54523
Temperature Range	-40°F (40°C) to 572°F (300°C)