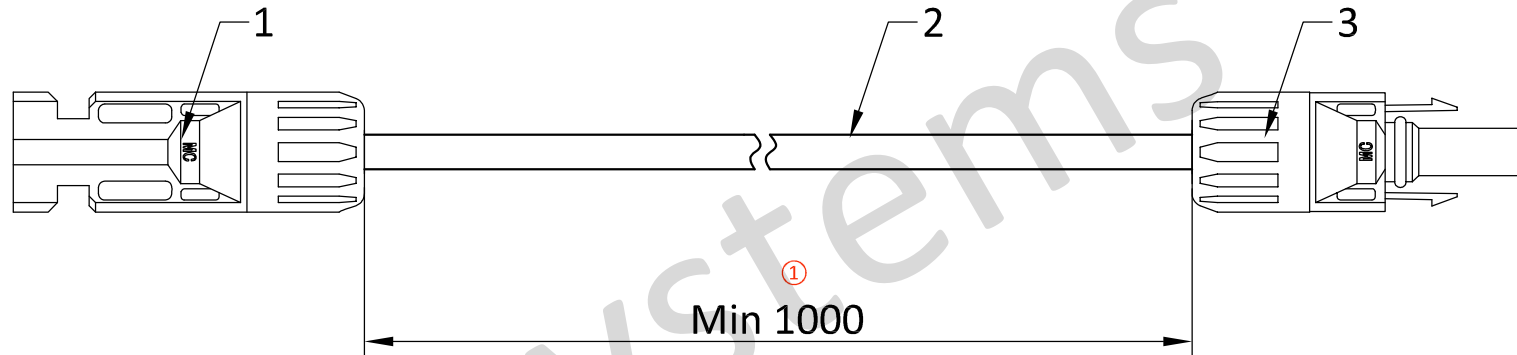



2310310274_1m DC Extension Cable(MC4)

RoHS

CHANGE NO.	CHANGE CONTENTS	REV.	NAME/DATE
①	Update cable type; Update dimensions	0.1	YFT 2022-9-14
②	Update cable type; change manufactor	1.0	YFT 2022-11-16



3	DC Connector (female)	MC4 PV-KBT4/6II		1	Female, STAUBLI	
2	DC Cable	H1Z2Z2-K /PV wire		1	4.0mm ² /12AWG, TUV/UL certification	
1	DC Connector (male)	MC4 PV-KST4/6II		1	Male, STAUBLI	
NO.	NAME	TYPE	MAT.	QTY.	DESCRIPTION	REMARK
TOLERANCES UNLESS OTHERWISE SPECIFIED		MATERIAL		 NAME 1m DC Extension Cable (MC4) DRAWING NO.		
>0-100	±5	>2500-3500	±45			
>100-500	±10	>3500-4500	±50			
>500-900	±15	>4500-5500	±65			
>900-1300	±25	>5500-6500	±80			
>1300-1800	±30	>6500-8000	±90			
>1800-2500	±35	>8000-10000	±100			
DWN.		UNIT	mm			
CHK.		SHEET	OF	REV.	1.0	

Notes:

1. The DC cable and connector connect firmly, can sustain 100N·60s tension.
2. The pin concentric with plastic parts, ensure that there is no contradict phenomenon when male connector inserts into female connector.
3. Use Blank Cartons For Packaging.