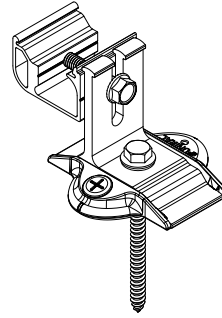
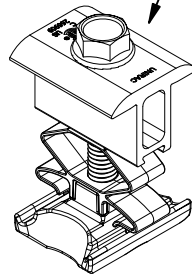
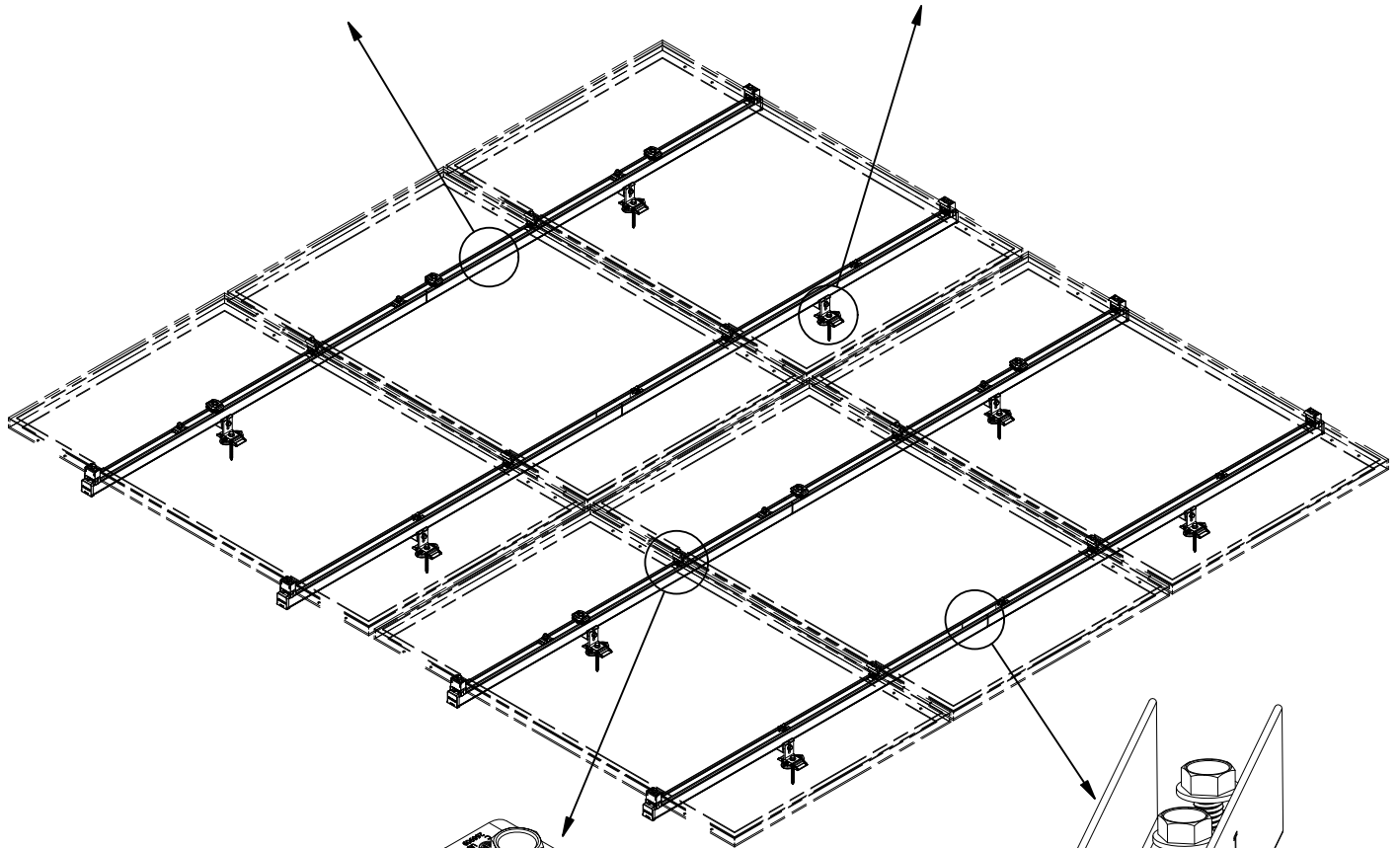


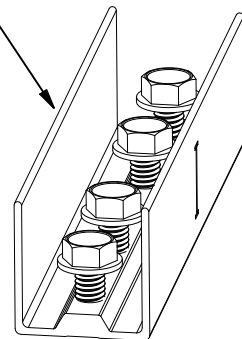
**RAIL**  
SEE PAGE NU-P01



**STRONGHOLD ATTACHMENT KIT**  
SEE PAGE NU-A04



**COMBO CLAMP**  
SEE PAGE NU-A03



**RAIL SPLICE**  
SEE PAGE NU-P02

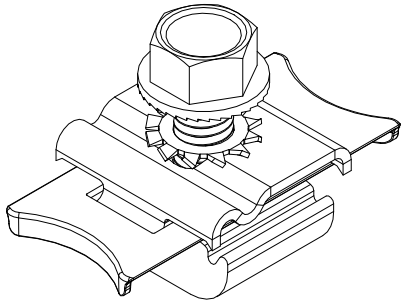


1411 BROADWAY BLVD. NE  
ALBUQUERQUE, NM 87102 USA  
PHONE: 505.242.6411  
WWW.UNIRAC.COM

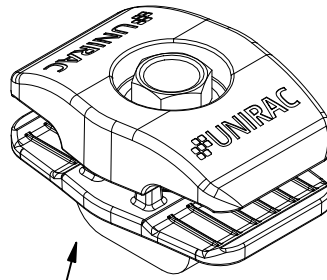
PRODUCT LINE:	NXT UMount
DRAWING TYPE:	PART & ASSEMBLY
DESCRIPTION:	MODULE ASSEMBLY
REVISION DATE:	9/25/2023

DRAWING NOT TO SCALE ALL DIMENSIONS ARE NOMINAL
PRODUCT PROTECTED BY ONE OR MORE US PATENTS LEGAL NOTICE

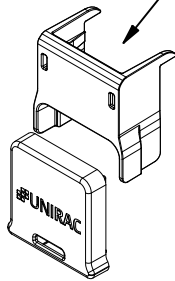
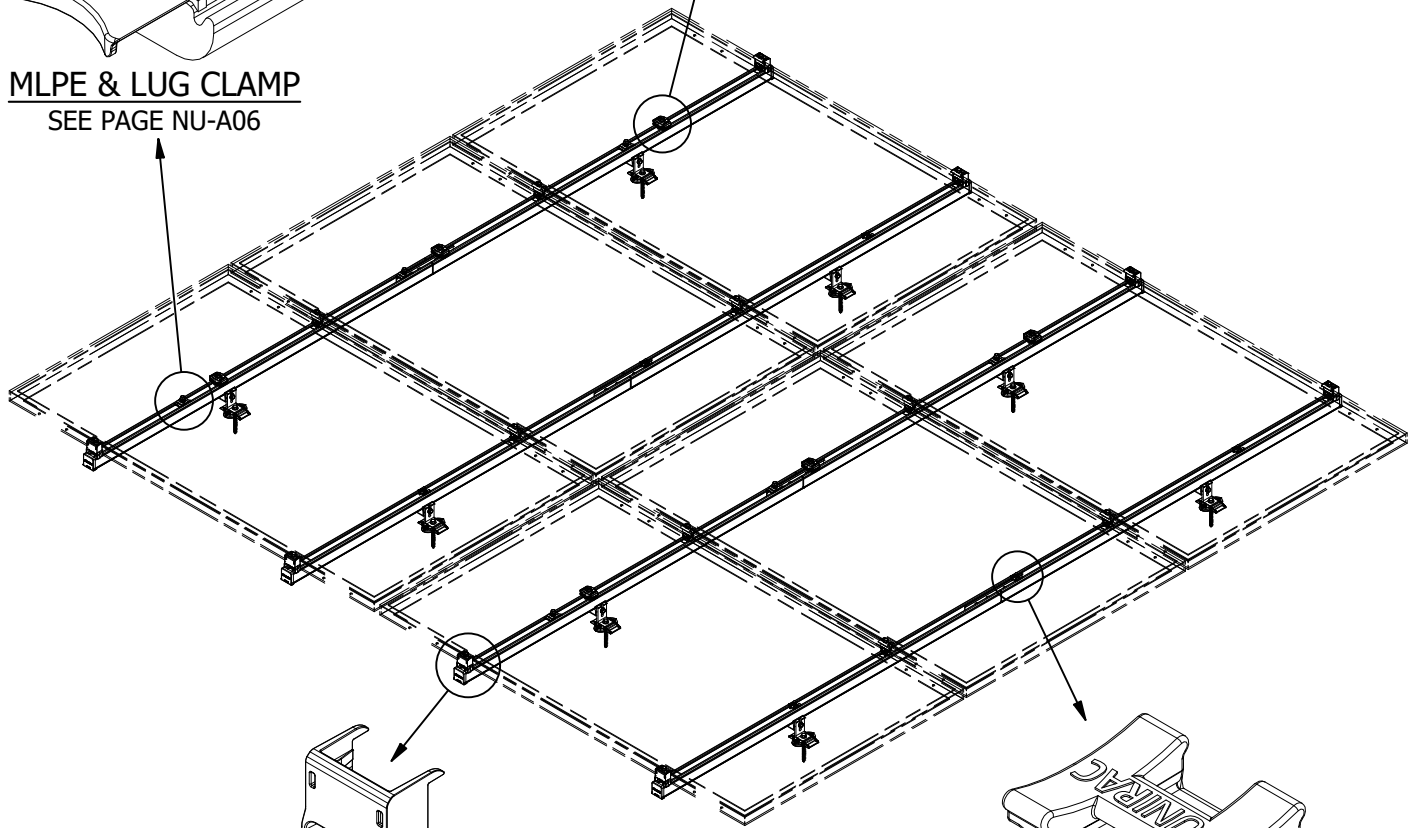
NU-A01
SHEET



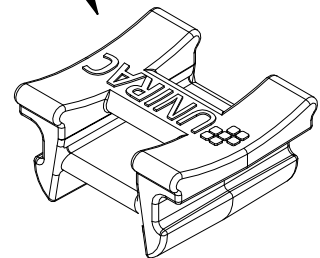
**MLPE & LUG CLAMP**  
SEE PAGE NU-A06



**NS WIRE MGMT CLIP**  
SEE PAGE NU-A07



**RAIL & CLAMP CAP KIT**  
SEE PAGE NU-A09



**WIRE MGMT CLIP**  
SEE PAGE NU-A08



1411 BROADWAY BLVD. NE  
ALBUQUERQUE, NM 87102 USA  
PHONE: 505.242.6411  
WWW.UNIRAC.COM

PRODUCT LINE:	NXT UMount
DRAWING TYPE:	PART & ASSEMBLY
DESCRIPTION:	MODULE ASSEMBLY
REVISION DATE:	11/17/2022

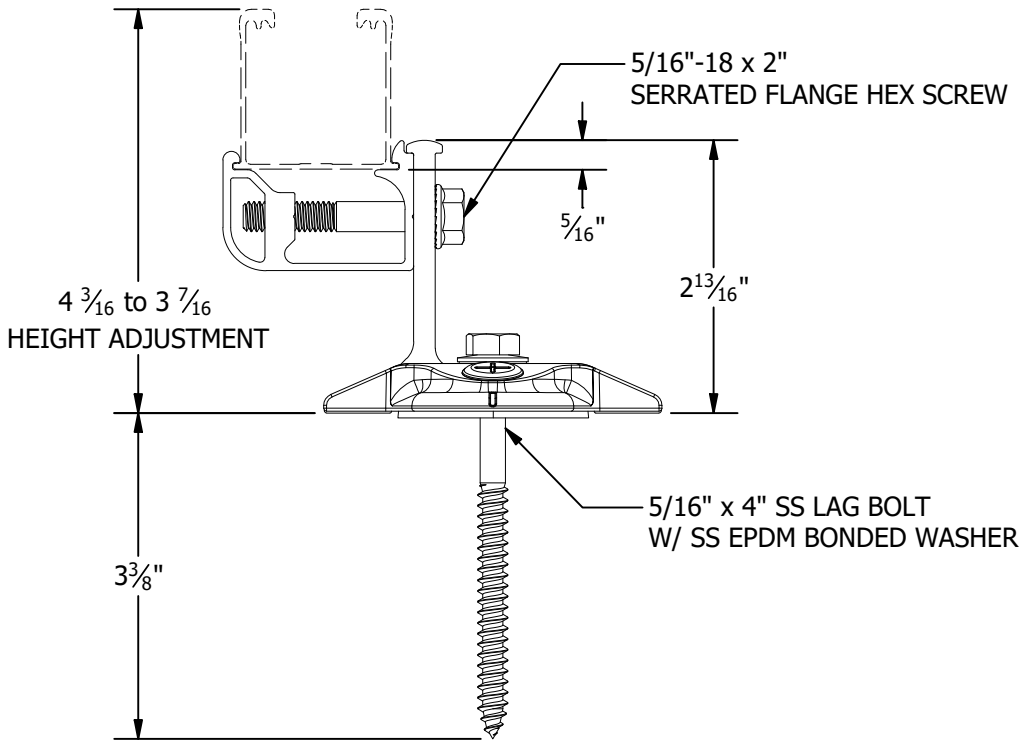
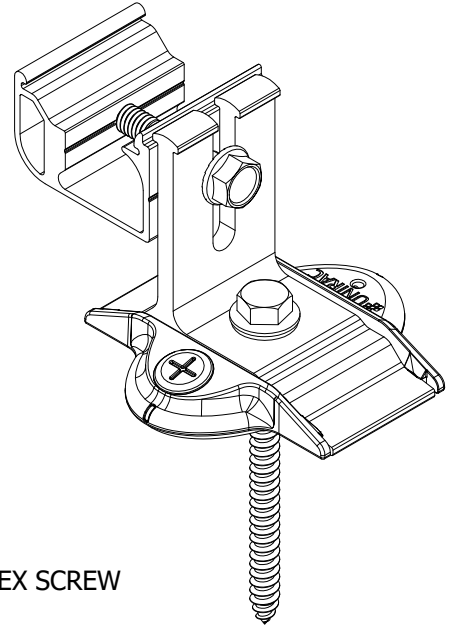
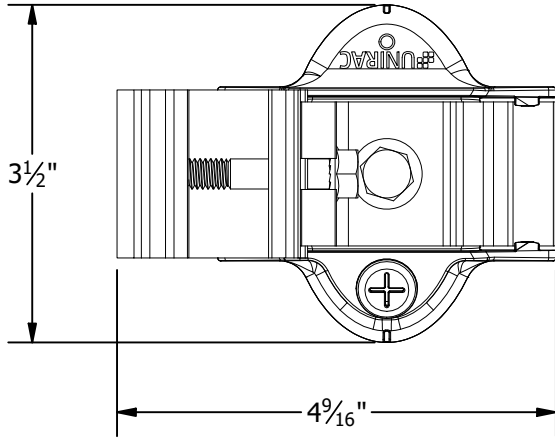
DRAWING NOT TO SCALE  
ALL DIMENSIONS ARE  
NOMINAL

PRODUCT PROTECTED BY  
ONE OR MORE US PATENTS  
LEGAL NOTICE

NU-A02

SHEET

PART # TABLE	
P/N	DESCRIPTION
SHCPKTM1	STRONGHOLD ATT KIT COMP MILL
SHCPKTD1	STRONGHOLD ATT KIT COMP DRK
SHCPKTM1-NS	STRONGHOLD ATT COMP MILL (NS)
SHCPKTD1-NS	STRONGHOLD ATT COMP DRK (NS)



1411 BROADWAY BLVD. NE  
ALBUQUERQUE, NM 87102 USA  
PHONE: 505.242.6411  
WWW.UNIRAC.COM

PRODUCT LINE:	NXT UMount
DRAWING TYPE:	PARTS ASSEMBLY
DESCRIPTION:	STRONGHOLD ATTACHMENT
REVISION DATE:	11/17/2022

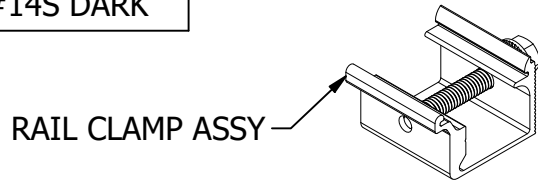
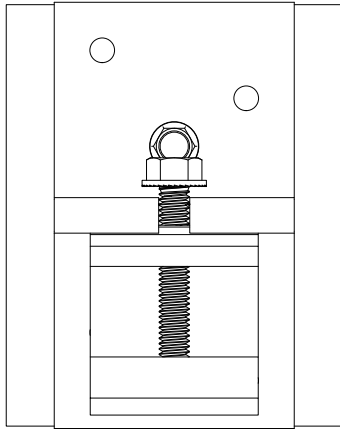
DRAWING NOT TO SCALE  
ALL DIMENSIONS ARE  
NOMINAL

PRODUCT PROTECTED BY  
ONE OR MORE US PATENTS  
LEGAL NOTICE

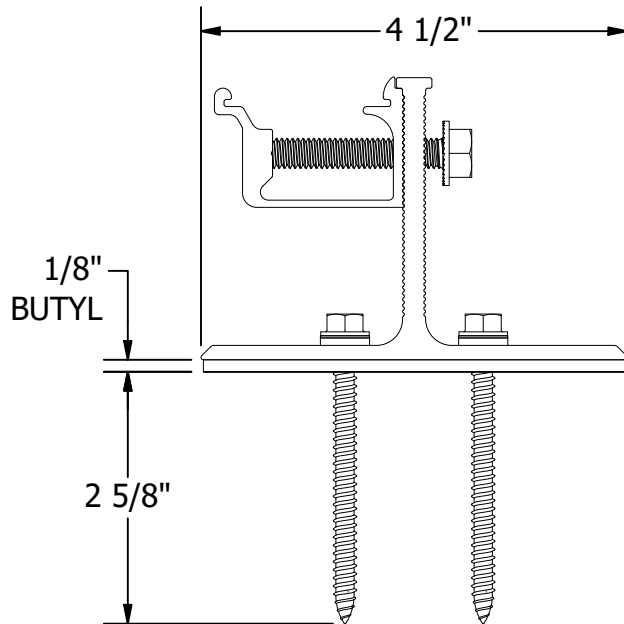
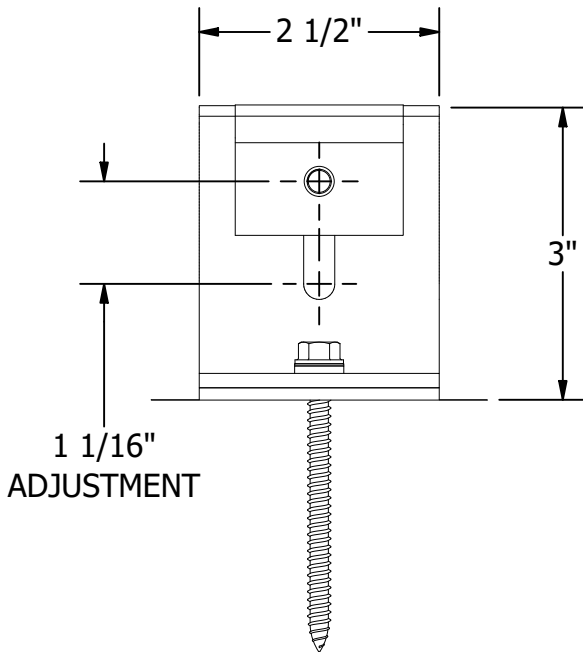
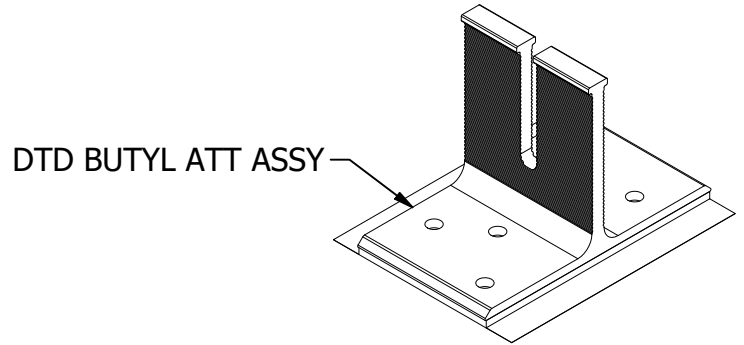
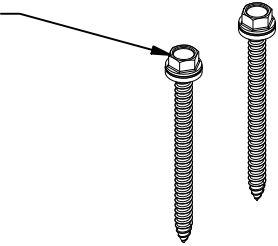
NU-A04

SHEET

PART # TABLE	
P/N	DESCRIPTION
SHBUTYLM2	STRONGHOLD BUTYL ATT KIT #14S MILL
SHBUTYLD2	STRONGHOLD BUTYL ATT KIT #14S DARK



2X #14-14 TYPE AB SCREW,  
HWH, SS W/ #14 EPDM WASHER



1411 BROADWAY BLVD. NE  
ALBUQUERQUE, NM 87102 USA  
PHONE: 505.242.6411  
WWW.UNIRAC.COM

PRODUCT LINE: NXT UMount

DRAWING TYPE: PARTS

DESCRIPTION: SH BUTYL  
ATTACHMENT

REVISION DATE: 7/14/2023

DRAWING NOT TO SCALE  
ALL DIMENSIONS ARE  
NOMINAL

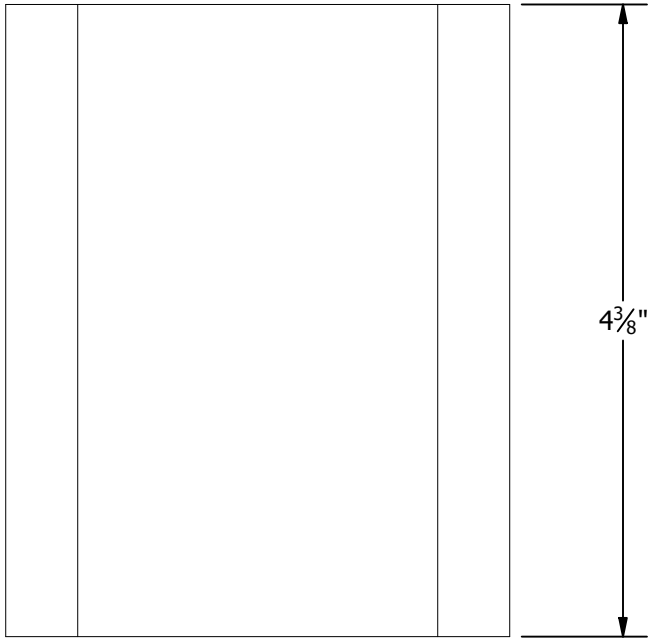
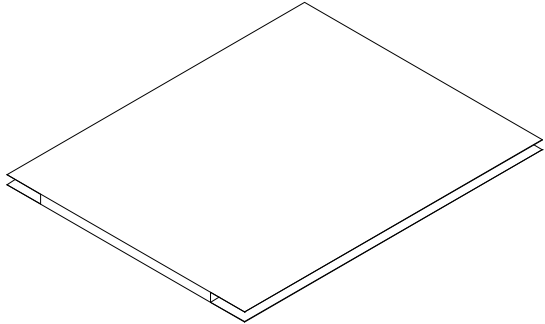
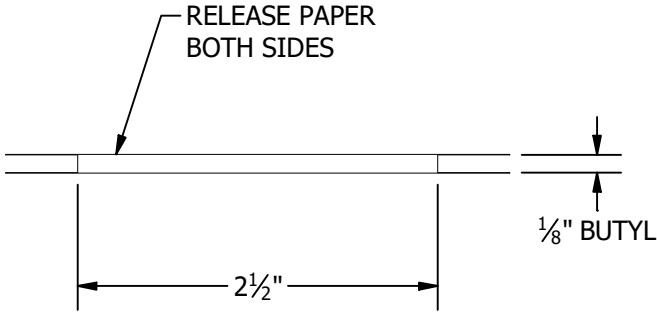
PRODUCT PROTECTED BY  
ONE OR MORE US PATENTS

LEGAL NOTICE

NU-A10-1

SHEET

PART # TABLE	
P/N	DESCRIPTION
XTRABUTL-SH	EXTRA BUTYL PAD - SH KIT



1411 BROADWAY BLVD. NE  
 ALBUQUERQUE, NM 87102 USA  
 PHONE: 505.242.6411  
 WWW.UNIRAC.COM

PRODUCT LINE: NXT UMount

DRAWING TYPE: PARTS

DESCRIPTION: BUTYL PAD

REVISION DATE: 1/10/2023

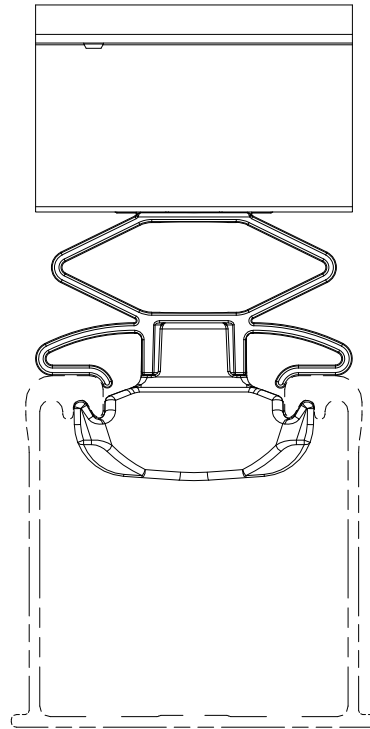
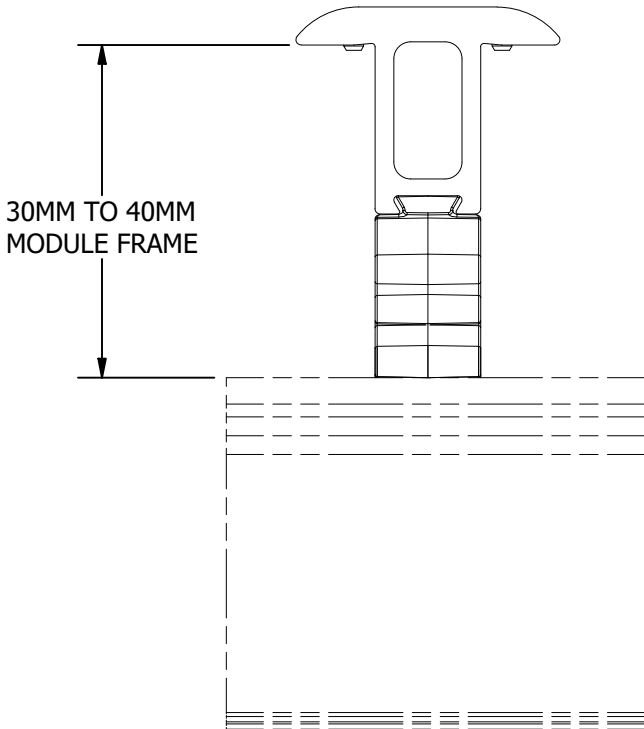
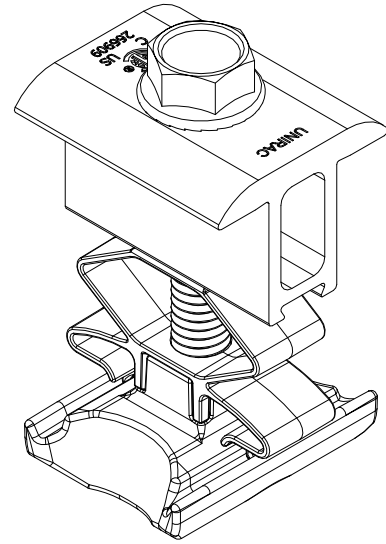
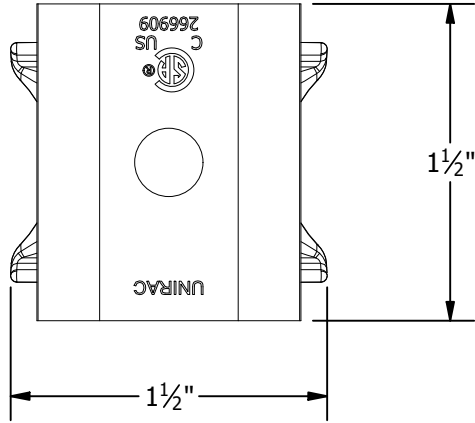
DRAWING NOT TO SCALE  
 ALL DIMENSIONS ARE  
 NOMINAL

PRODUCT PROTECTED BY  
 ONE OR MORE US PATENTS  
 LEGAL NOTICE

NU-P03

SHEET

PART # TABLE	
P/N	DESCRIPTION
CCLAMPM1	NXT COMBO CLAMP - MILL
CCLAMPD1	NXT COMBO CLAMP - DARK



1411 BROADWAY BLVD. NE  
ALBUQUERQUE, NM 87102 USA  
PHONE: 505.242.6411  
WWW.UNIRAC.COM

PRODUCT LINE:	NXT UMount
DRAWING TYPE:	PART & ASSEMBLY
DESCRIPTION:	COMBO CLAMP
REVISION DATE:	11/17/2022

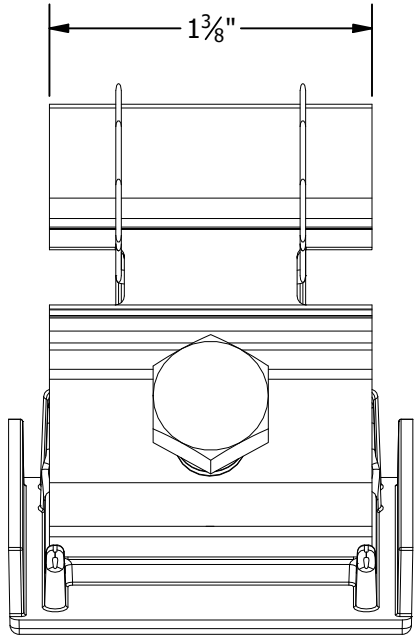
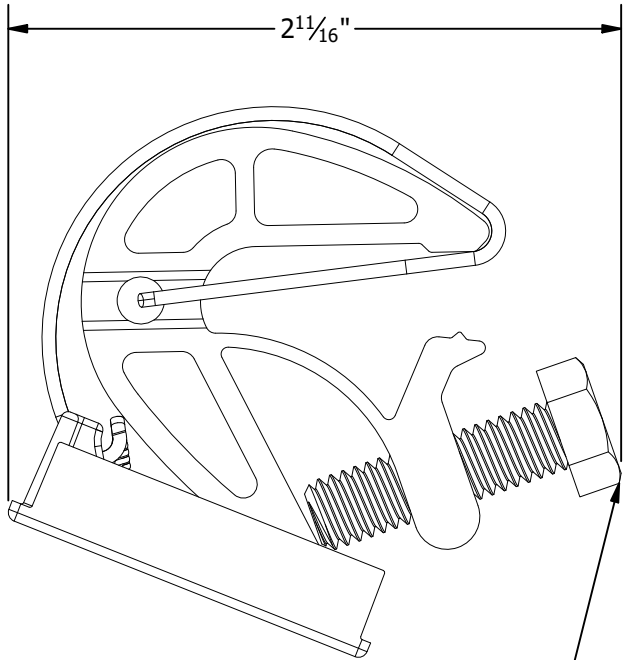
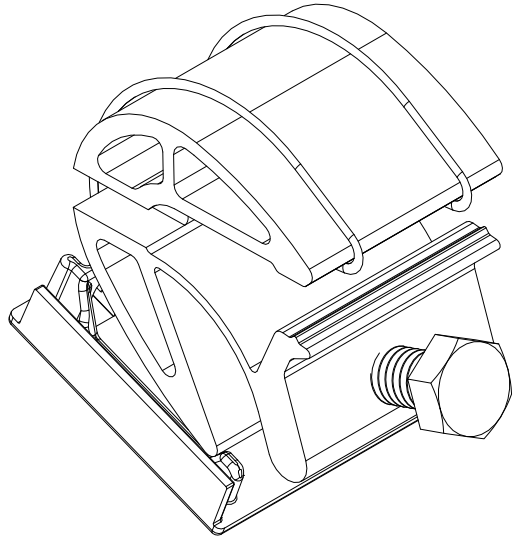
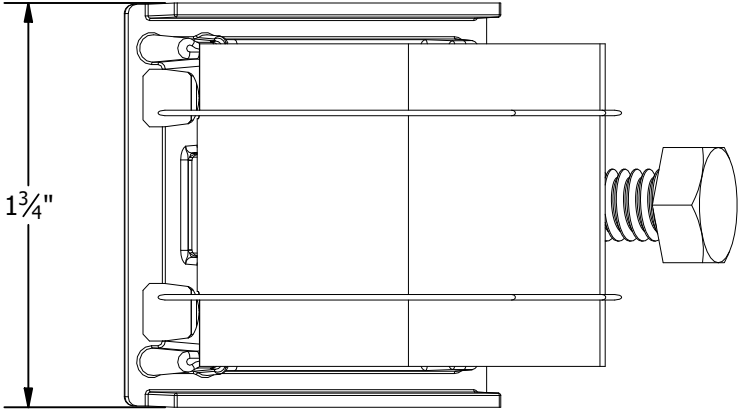
DRAWING NOT TO SCALE  
ALL DIMENSIONS ARE  
NOMINAL

PRODUCT PROTECTED BY  
ONE OR MORE US PATENTS  
LEGAL NOTICE

NU-A03

SHEET

PART # TABLE	
P/N	DESCRIPTION
NUHECLMP1	NXT HIDDEN END CLAMP W/CAP



5/16"-18 x 1.125", BOLT, HEX SS



1411 BROADWAY BLVD. NE  
 ALBUQUERQUE, NM 87102 USA  
 PHONE: 505.242.6411  
 WWW.UNIRAC.COM

PRODUCT LINE:	NXT UMount
DRAWING TYPE:	PART DETAIL
DESCRIPTION:	HIDDEN END CLAMP
REVISION DATE:	8/24/2023

DRAWING NOT TO SCALE  
 ALL DIMENSIONS ARE  
 NOMINAL

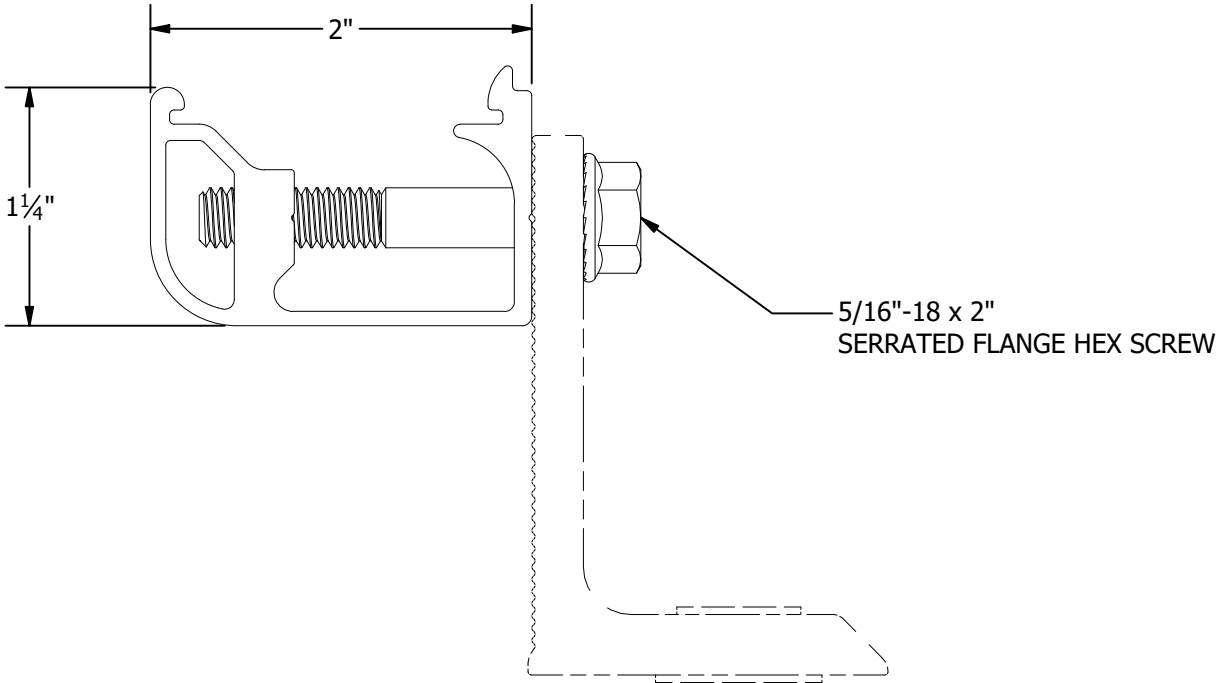
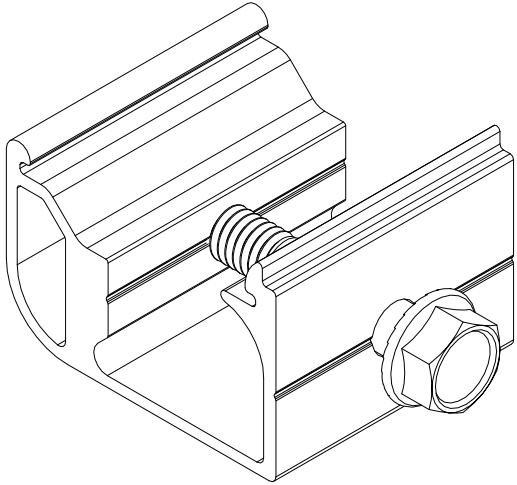
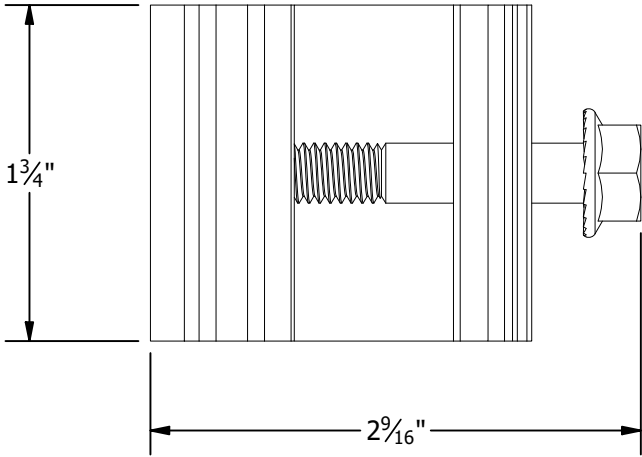
PRODUCT PROTECTED BY  
 ONE OR MORE US PATENTS

LEGAL NOTICE

NU-A12

SHEET

PART # TABLE	
P/N	DESCRIPTION
SHCLMPM1	STRONGHOLD RAIL CLAMP MILL
SHCLMPD1	STRONGHOLD RAIL CLAMP DRK



1411 BROADWAY BLVD. NE  
 ALBUQUERQUE, NM 87102 USA  
 PHONE: 505.242.6411  
 WWW.UNIRAC.COM

PRODUCT LINE:	NXT UMount
DRAWING TYPE:	PARTS ASSEMBLY
DESCRIPTION:	STRONGHOLD RAIL CLAMP
REVISION DATE:	11/17/2022

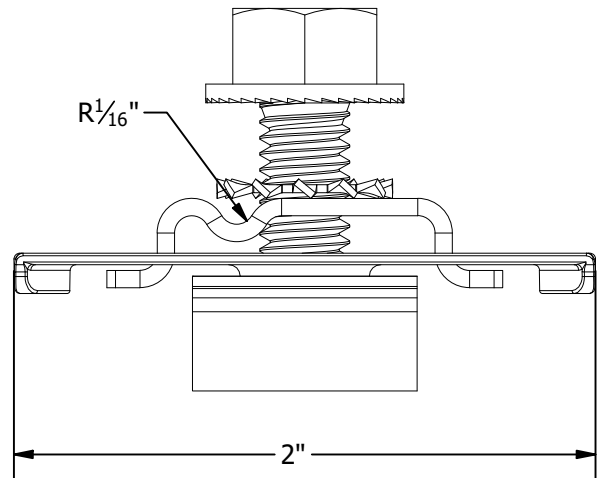
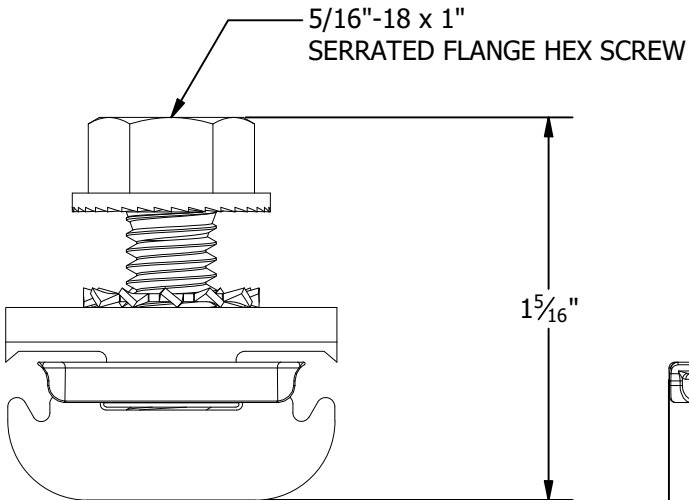
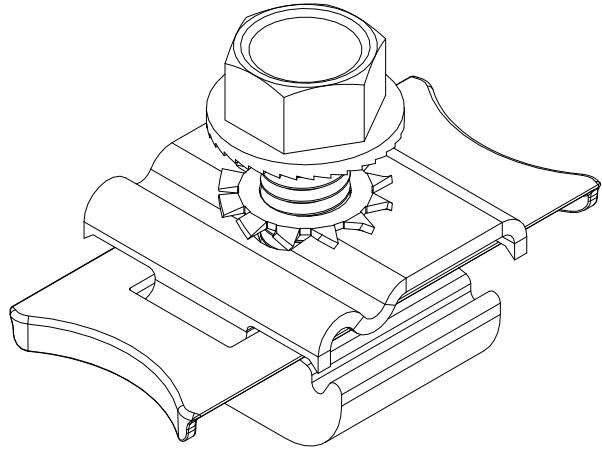
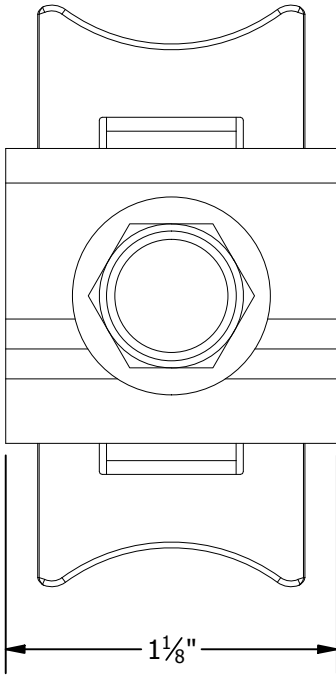
DRAWING NOT TO SCALE  
 ALL DIMENSIONS ARE  
 NOMINAL

PRODUCT PROTECTED BY  
 ONE OR MORE US PATENTS  
 LEGAL NOTICE

NU-A05  
 SHEET



PART # TABLE	
P/N	DESCRIPTION
LUGMLPE1	NXT UMount MLPE & LUG CLAMP



1411 BROADWAY BLVD. NE  
 ALBUQUERQUE, NM 87102 USA  
 PHONE: 505.242.6411  
 WWW.UNIRAC.COM

PRODUCT LINE:	NXT UMount
DRAWING TYPE:	PARTS ASSEMBLY
DESCRIPTION:	MLPE & LUG CLAMP
REVISION DATE:	11/17/2022

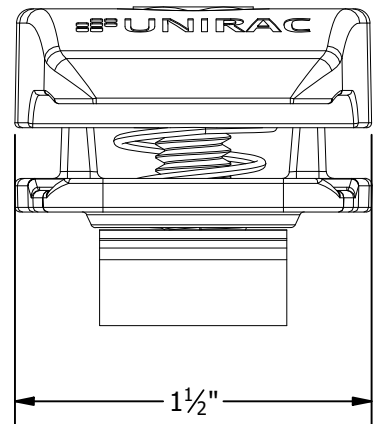
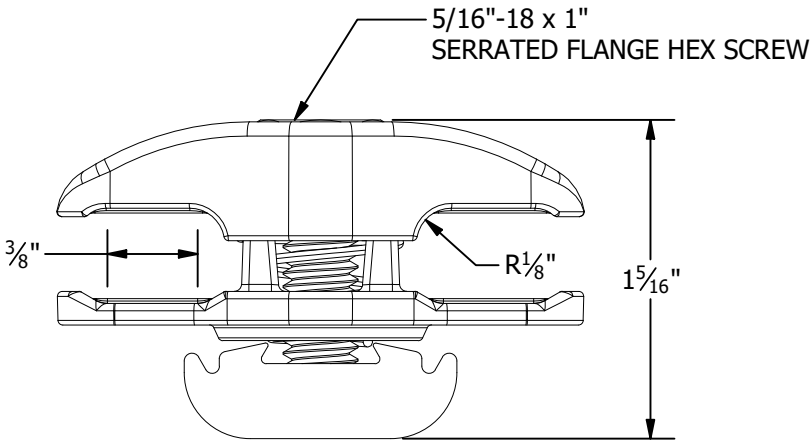
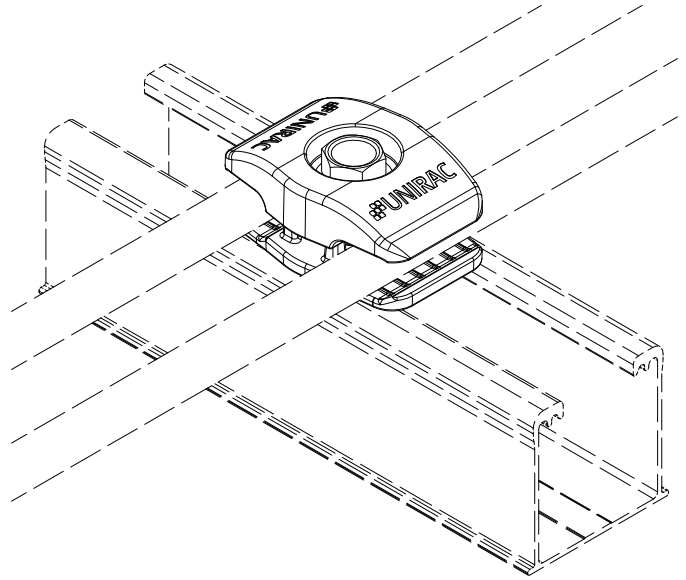
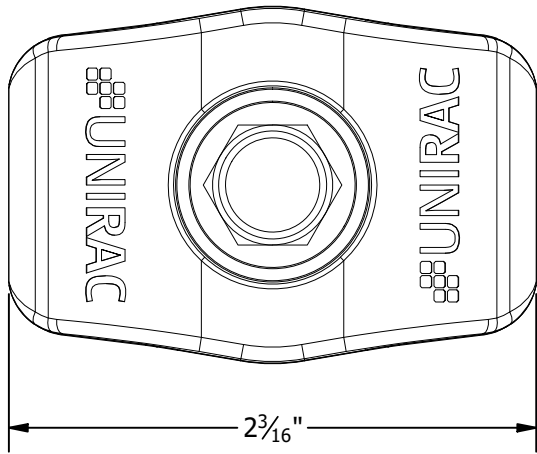
DRAWING NOT TO SCALE  
 ALL DIMENSIONS ARE  
 NOMINAL

PRODUCT PROTECTED BY  
 ONE OR MORE US PATENTS  
 LEGAL NOTICE

NU-A06

SHEET

PART # TABLE	
P/N	DESCRIPTION
WRMCNSD1	NXT UMount NS WIRE MGMT CLIP



**UNIRAC**<sup>®</sup>

1411 BROADWAY BLVD. NE  
ALBUQUERQUE, NM 87102 USA  
PHONE: 505.242.6411  
WWW.UNIRAC.COM

PRODUCT LINE:	NXT UMount
DRAWING TYPE:	PARTS ASSEMBLY
DESCRIPTION:	NS WIRE MGMT CLIP
REVISION DATE:	11/17/2022

DRAWING NOT TO SCALE  
ALL DIMENSIONS ARE  
NOMINAL

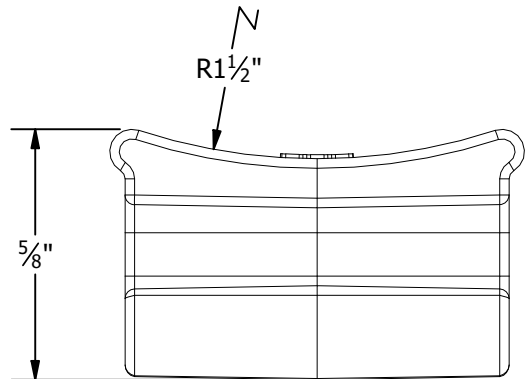
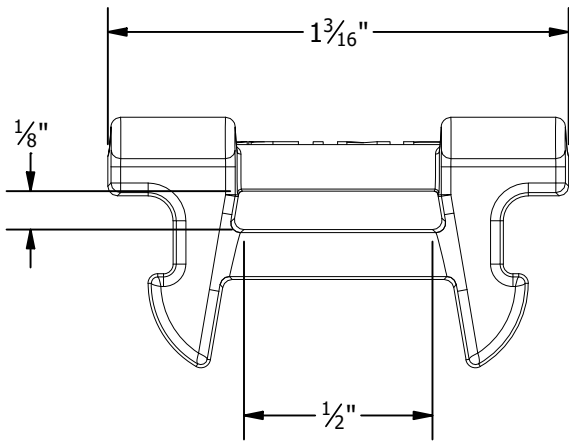
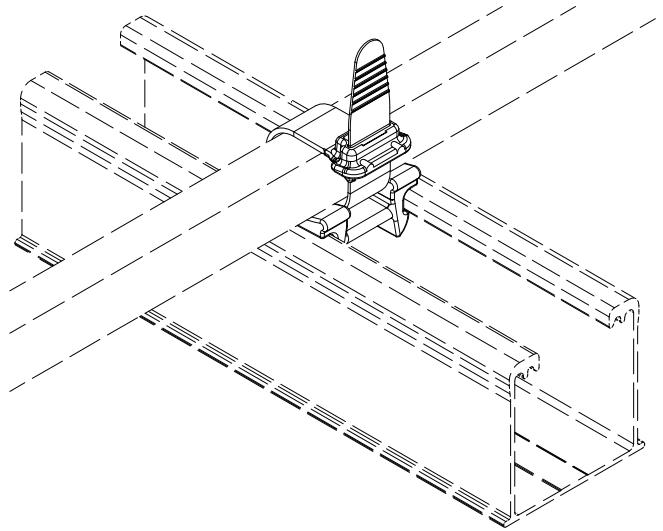
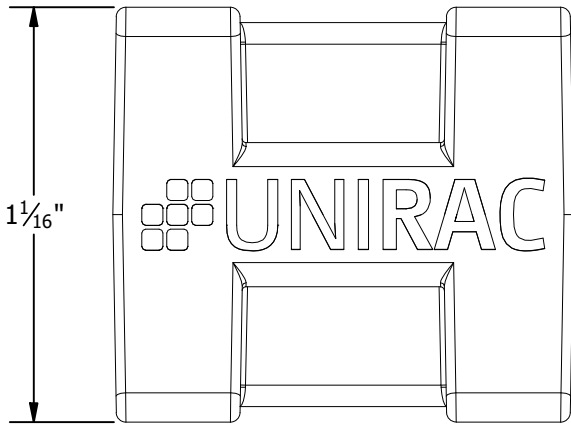
PRODUCT PROTECTED BY  
ONE OR MORE US PATENTS

LEGAL NOTICE

NU-A07

SHEET

PART # TABLE	
P/N	DESCRIPTION
WRMCLPD1	NXT UMount WIRE MGMT CLIP



1411 BROADWAY BLVD. NE  
 ALBUQUERQUE, NM 87102 USA  
 PHONE: 505.242.6411  
 WWW.UNIRAC.COM

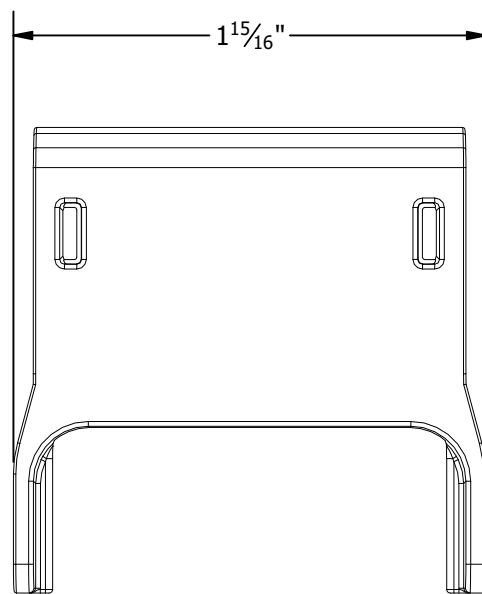
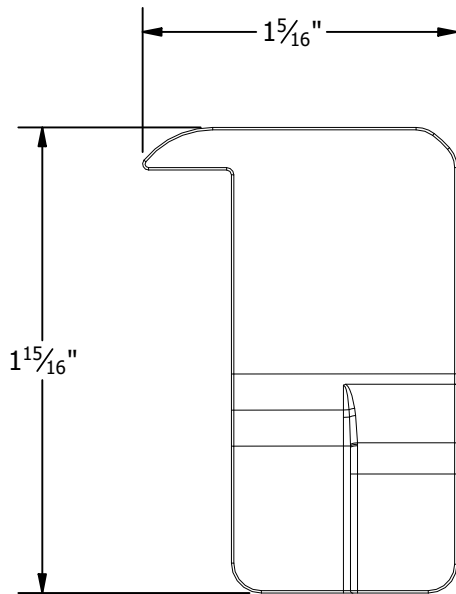
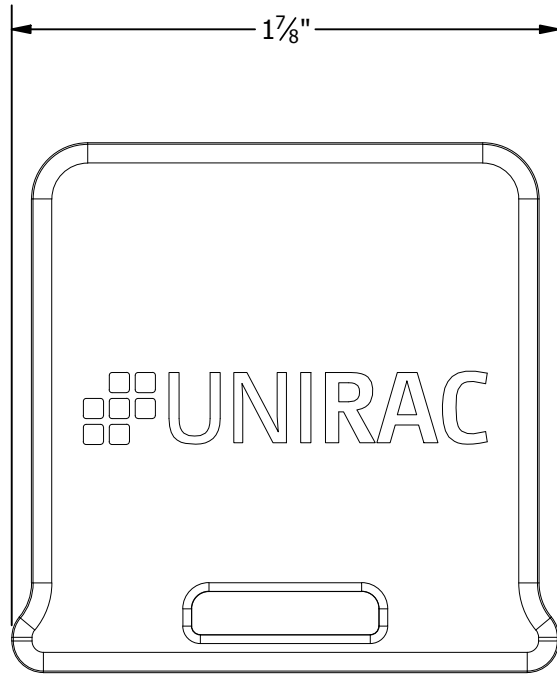
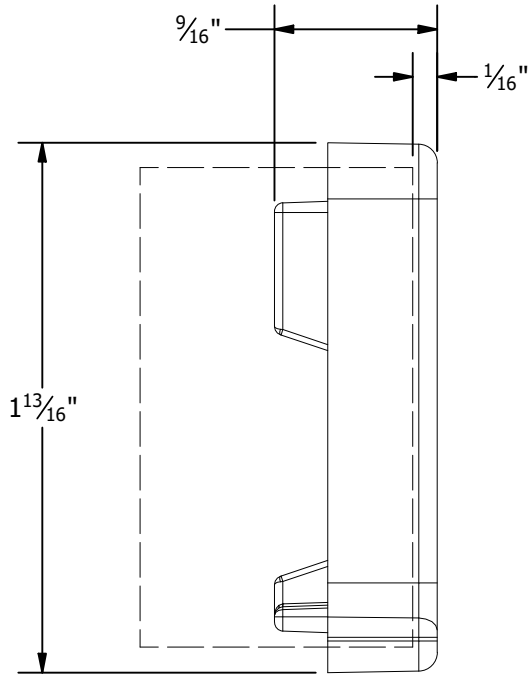
PRODUCT LINE:	NXT UMount
DRAWING TYPE:	PARTS
DESCRIPTION:	WIRE MGMT CLIP
REVISION DATE:	11/17/2022

DRAWING NOT TO SCALE  
 ALL DIMENSIONS ARE  
 NOMINAL

PRODUCT PROTECTED BY  
 ONE OR MORE US PATENTS  
 LEGAL NOTICE

NU-A08  
 SHEET

PART # TABLE	
P/N	DESCRIPTION
ENDCAPD1	NXT UMOUNT RL & CLMP CAP KIT



1411 BROADWAY BLVD. NE  
 ALBUQUERQUE, NM 87102 USA  
 PHONE: 505.242.6411  
 WWW.UNIRAC.COM

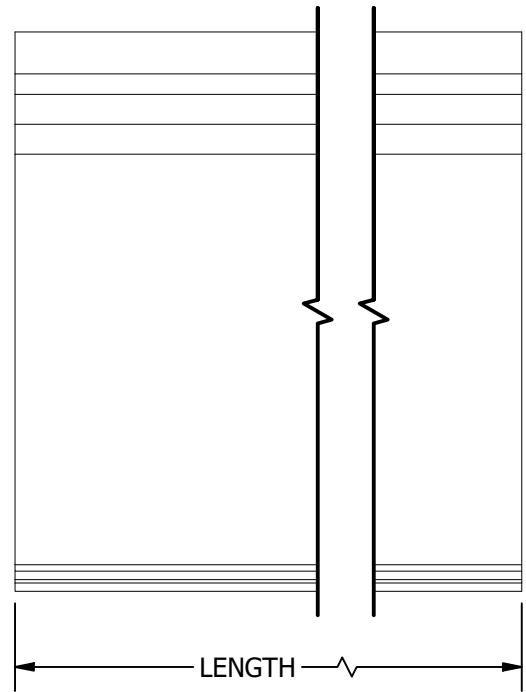
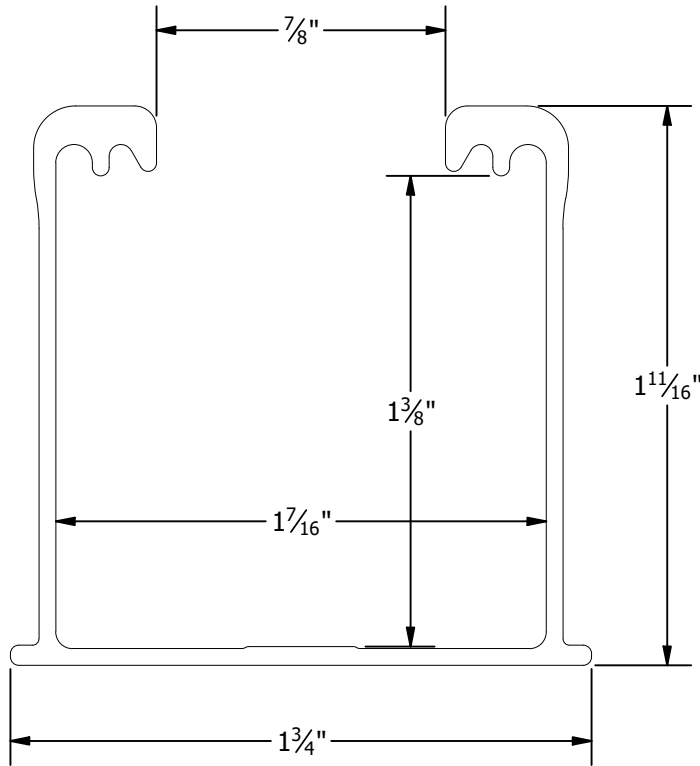
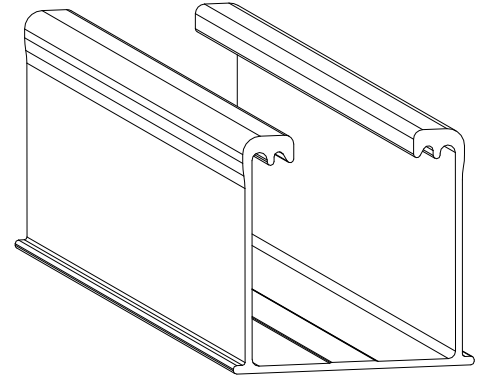
PRODUCT LINE:	NXT UMOUNT
DRAWING TYPE:	PARTS
DESCRIPTION:	RAIL & CLAMP CAP
REVISION DATE:	11/17/2022

DRAWING NOT TO SCALE  
 ALL DIMENSIONS ARE  
 NOMINAL

PRODUCT PROTECTED BY  
 ONE OR MORE US PATENTS  
 LEGAL NOTICE

NU-A09  
 SHEET

PART # TABLE		
P/N	DESCRIPTION	LENGTH
084RLM1	NXT UMOUNT RAIL 84" MILL	84"
084RLD1	NXT UMOUNT RAIL 84" DARK	84"
168RLM1	NXT UMOUNT RAIL 168" MILL	168"
168RLD1	NXT UMOUNT RAIL 168" DARK	168"
208RLM1	NXT UMOUNT RAIL 208" MILL	208"
208RLD1	NXT UMOUNT RAIL 208" DARK	208"
246RLM1	NXT UMOUNT RAIL 246" MILL	246"
246RLD1	NXT UMOUNT RAIL 246" DARK	246"
171RLM1	NXT UMOUNT RAIL 171" MILL	171.50"
171RLD1	NXT UMOUNT RAIL 171" DARK	171.50"



1411 BROADWAY BLVD. NE  
 ALBUQUERQUE, NM 87102 USA  
 PHONE: 505.242.6411  
 WWW.UNIRAC.COM

PRODUCT LINE:	NXT UMOUNT
DRAWING TYPE:	PART DETAIL
DESCRIPTION:	RAIL
REVISION DATE:	11/17/2022

DRAWING NOT TO SCALE  
 ALL DIMENSIONS ARE  
 NOMINAL

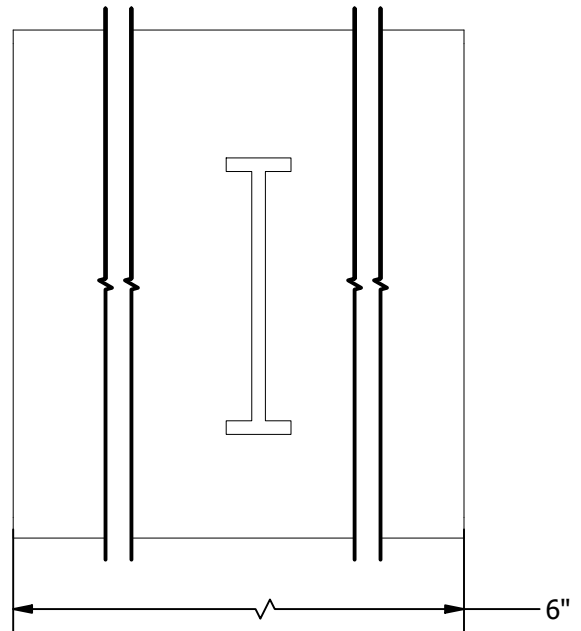
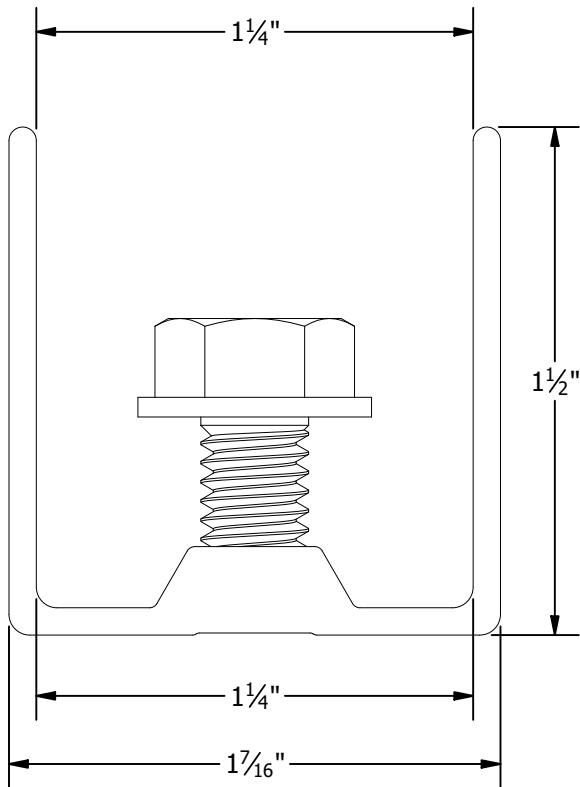
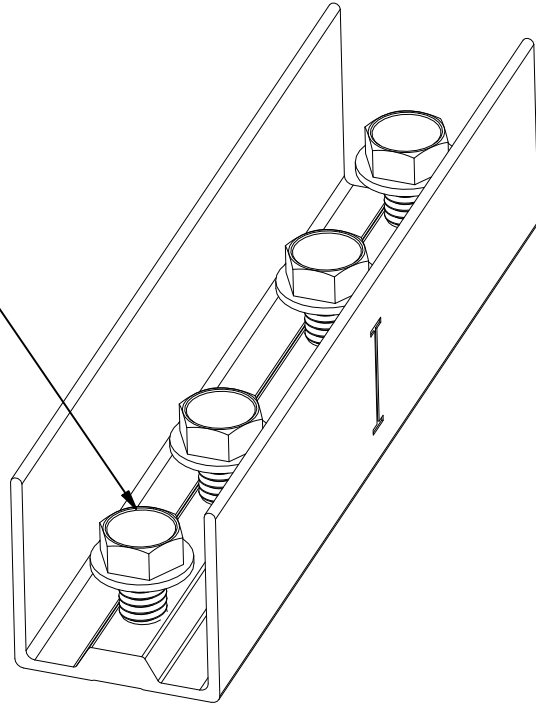
PRODUCT PROTECTED BY  
 ONE OR MORE US PATENTS  
 LEGAL NOTICE

NU-P01

SHEET

PART # TABLE		
P/N	DESCRIPTION	LENGTH
RLSPLCM2	NXT UMOUNT RAIL SPLICE	6"

4X - 5/16"-18 x 5/8"  
HEX FLANGE SCREW - TYPE F



1411 BROADWAY BLVD. NE  
ALBUQUERQUE, NM 87102 USA  
PHONE: 505.242.6411  
WWW.UNIRAC.COM

PRODUCT LINE: NXT UMOUNT

DRAWING TYPE: PART DETAIL

DESCRIPTION: RAIL SPLICE

REVISION DATE: 8/24/2023

DRAWING NOT TO SCALE  
ALL DIMENSIONS ARE  
NOMINAL

PRODUCT PROTECTED BY  
ONE OR MORE US PATENTS  
LEGAL NOTICE

NU-P02

SHEET