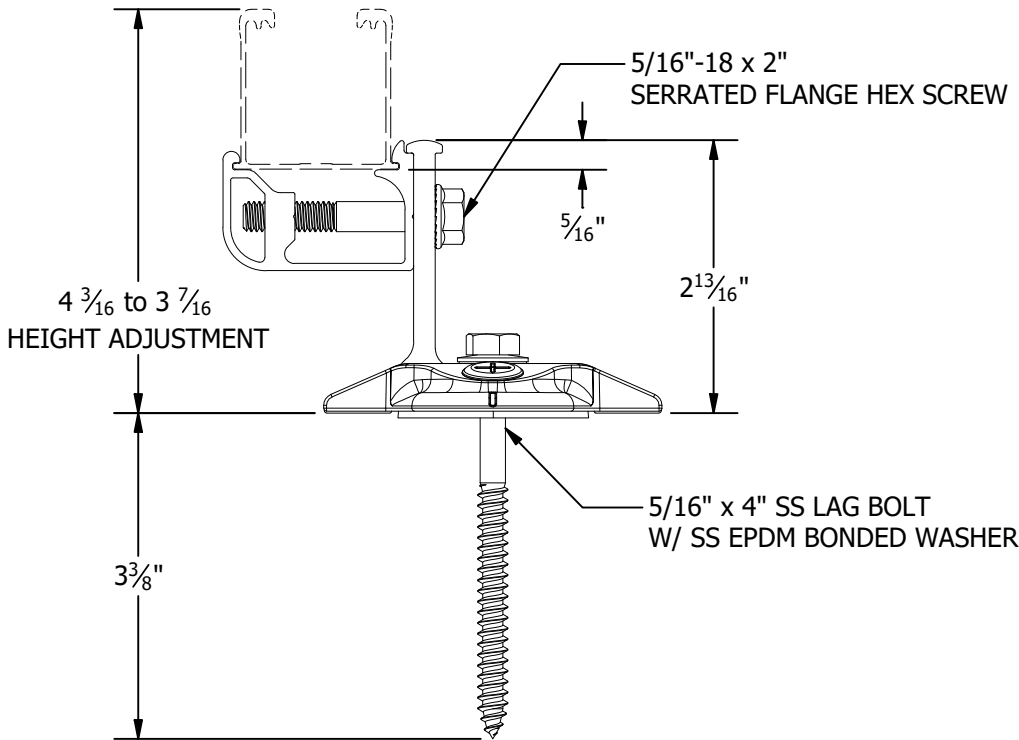
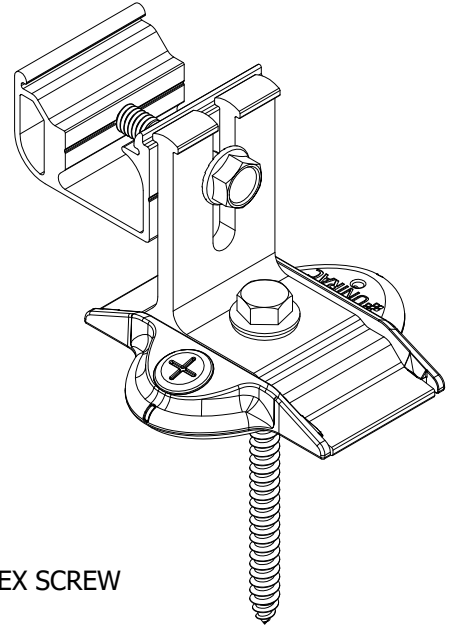
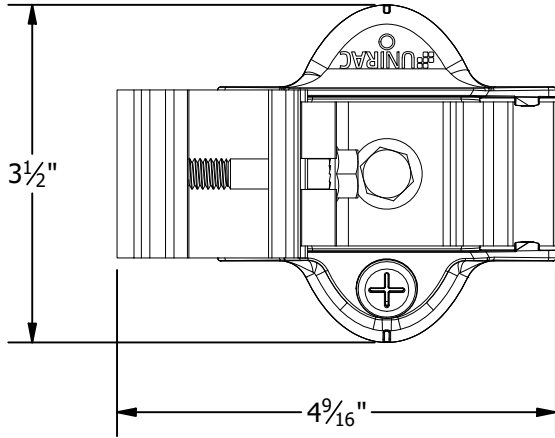


PART # TABLE	
P/N	DESCRIPTION
SHCPKTM1	STRONGHOLD ATT KIT COMP MILL
SHCPKTD1	STRONGHOLD ATT KIT COMP DRK
SHCPKTM1-NS	STRONGHOLD ATT COMP MILL (NS)
SHCPKTD1-NS	STRONGHOLD ATT COMP DRK (NS)



1411 BROADWAY BLVD. NE  
ALBUQUERQUE, NM 87102 USA  
PHONE: 505.242.6411  
WWW.UNIRAC.COM

PRODUCT LINE:	NXT UMount
DRAWING TYPE:	PARTS ASSEMBLY
DESCRIPTION:	STRONGHOLD ATTACHMENT
REVISION DATE:	11/17/2022

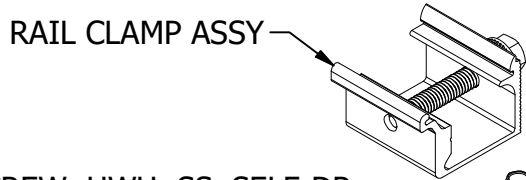
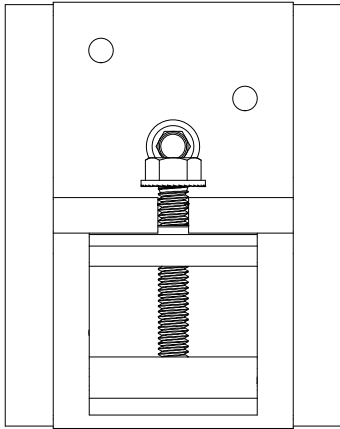
DRAWING NOT TO SCALE  
ALL DIMENSIONS ARE  
NOMINAL

PRODUCT PROTECTED BY  
ONE OR MORE US PATENTS  
LEGAL NOTICE

NU-A04

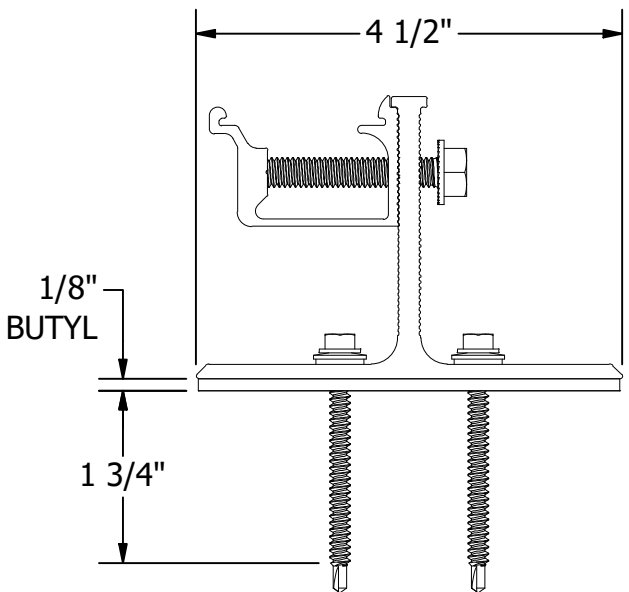
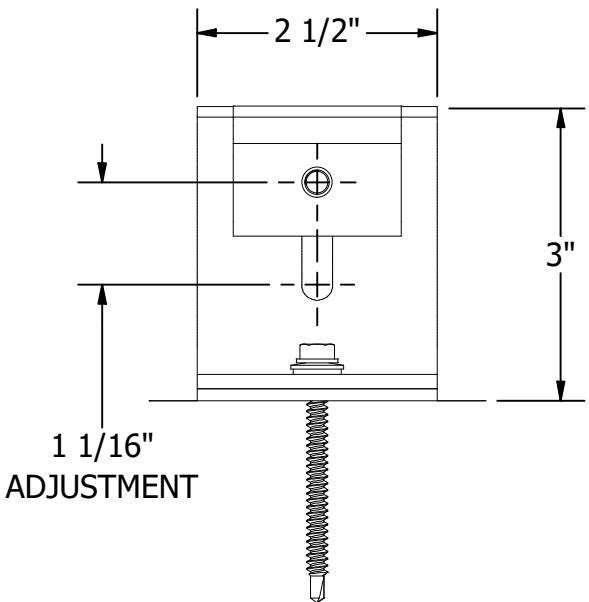
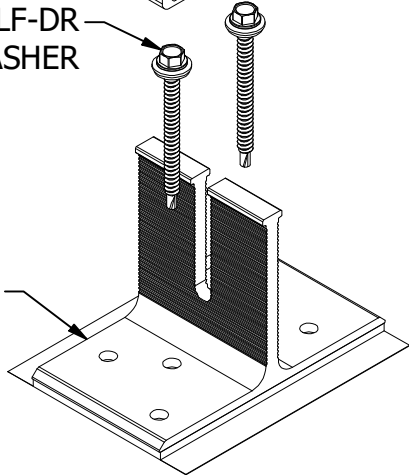
SHEET

PART # TABLE	
P/N	DESCRIPTION
SBUTYLM1	STRONGHOLD ATT W/BUTYL, MILL
SBUTYLD1	STRONGHOLD ATT W/BUTYL, DARK



2X #12-14 SCREW, HWH, SS, SELF-DR  
W/ #12 EPDM WASHER

DTD BUTYL ATT ASSY



**UNIRAC**<sup>®</sup>  
 1411 BROADWAY BLVD. NE  
 ALBUQUERQUE, NM 87102 USA  
 PHONE: 505.242.6411  
 WWW.UNIRAC.COM

PRODUCT LINE:	NXT UMount
DRAWING TYPE:	PARTS
DESCRIPTION:	SH BUTYL ATTACHMENT
REVISION DATE:	2/3/2023

DRAWING NOT TO SCALE  
 ALL DIMENSIONS ARE  
 NOMINAL

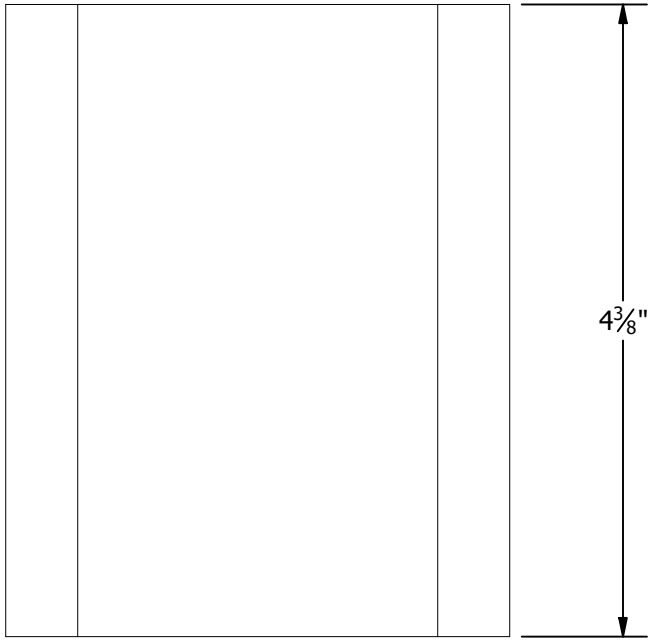
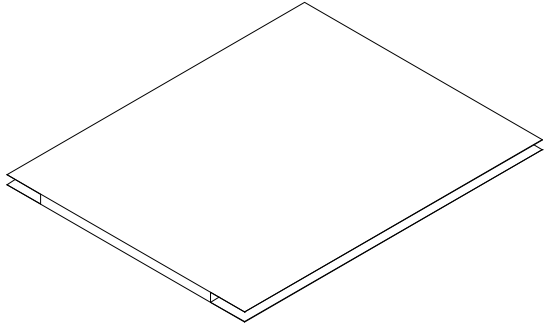
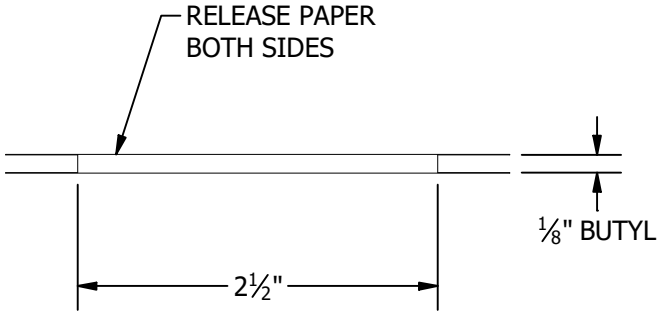
PRODUCT PROTECTED BY  
 ONE OR MORE US PATENTS

LEGAL NOTICE

NU-A10

SHEET

PART # TABLE	
P/N	DESCRIPTION
XTRABUTL-SH	EXTRA BUTYL PAD - SH KIT



1411 BROADWAY BLVD. NE  
 ALBUQUERQUE, NM 87102 USA  
 PHONE: 505.242.6411  
 WWW.UNIRAC.COM

PRODUCT LINE: NXT UMount

DRAWING TYPE: PARTS

DESCRIPTION: BUTYL PAD

REVISION DATE: 1/10/2023

DRAWING NOT TO SCALE  
 ALL DIMENSIONS ARE  
 NOMINAL

PRODUCT PROTECTED BY  
 ONE OR MORE US PATENTS

LEGAL NOTICE

NU-P03

SHEET