

DESCRIPTION:  
**SNAPNRACK, TDS, UNIVERSAL END CLAMP**

DOC NUMBER:  
 SNR-DC-01392

**SnapNrack®**

PART NUMBER(S):  
 242-02215

DRAWN BY:  
 H.WULFEKOETTER

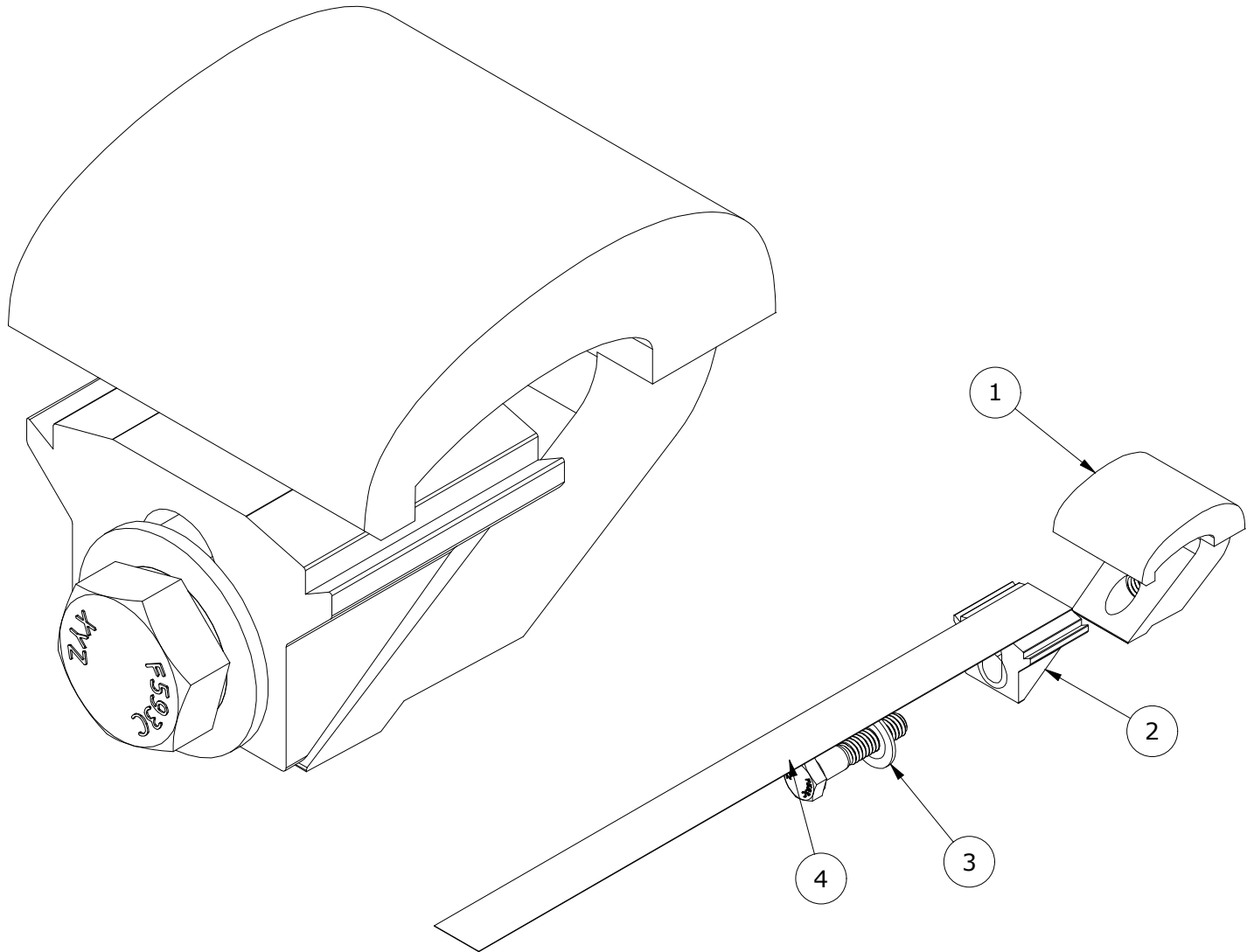
SUNRUN INSTALLATION SERVICES INC.

REV: **B**      DATE:  
 1/25/2023

225 BUSH STREET, SUITE 1400 • SAN FRANCISCO, CA 94104 USA  
 PHONE (877) 732-2860 • CONTACT@SNAPNRACK.COM

UNITS: IN, LB, DEG [MM, KG, DEG]      SHEET: 1:2

THE INFORMATION IN THIS DRAWING IS CONFIDENTIAL AND PROPRIETARY. ANY REPRODUCTION, DISCLOSURE, OR USE THEREOF IS PROHIBITED WITHOUT THE WRITTEN CONSENT OF SUNRUN SOUTH LLC.



PARTS LIST		
ITEM	QTY	DESCRIPTION
1	1	SNAPNRACK END CLAMP UNIVERSAL WAVE, TYPE 2
2	1	SNAPNRACK END CLAMP UNIVERSAL WEDGE
3	1	5/16IN X 3/4IN SS FLAT WASHER
4	1	5-16IN-18 X 1-1-2IN SS HCS BOLT
5	1	SNAPNRACK UEC PULL STRAP

MATERIALS: 6000 SERIES ALUMINUM, STAINLESS STEEL

DESIGN LOAD (LBS): 800

ULTIMATE LOAD (LBS): 2400

TORQUE SPECIFICATION: 10+ FT-LBS

CERTIFICATION: UL 2703, FILE E359313

WEIGHT (LBS): 0.24

DESCRIPTION:  
**SNAPNRACK, TDS, UNIVERSAL END CLAMP**

DOC NUMBER:  
 SNR-DC-01392

**SnapNrack®**

PART NUMBER(S):  
 242-02215

DRAWN BY:  
 H.WULFEKOETTER

SUNRUN INSTALLATION SERVICES INC.

UNITS: IN, LB, DEG [MM, KG, DEG]      SHEET: 2:2

REV: **B**      DATE: 1/25/2023

225 BUSH STREET, SUITE 1400 • SAN FRANCISCO, CA 94104 USA  
 PHONE (877) 732-2860 • CONTACT@SNAPNRACK.COM  
THE INFORMATION IN THIS DRAWING IS CONFIDENTIAL AND PROPRIETARY. ANY REPRODUCTION, DISCLOSURE, OR USE THEREOF IS PROHIBITED WITHOUT THE WRITTEN CONSENT OF SUNRUN SOUTH LLC.

