

DESCRIPTION:
SNAPNRACK, TDS, RL UNIVERSAL, ARRAY SKIRT

DOC NUMBER:
 SNR-DC-01374

SnapNrack®

PART NUMBER(S):

232-02492

DRAWN BY:
 H.WULFEKOETTER

REV: **B** DATE:
 1/24/2023

SUNRUN INSTALLATION SERVICES INC.

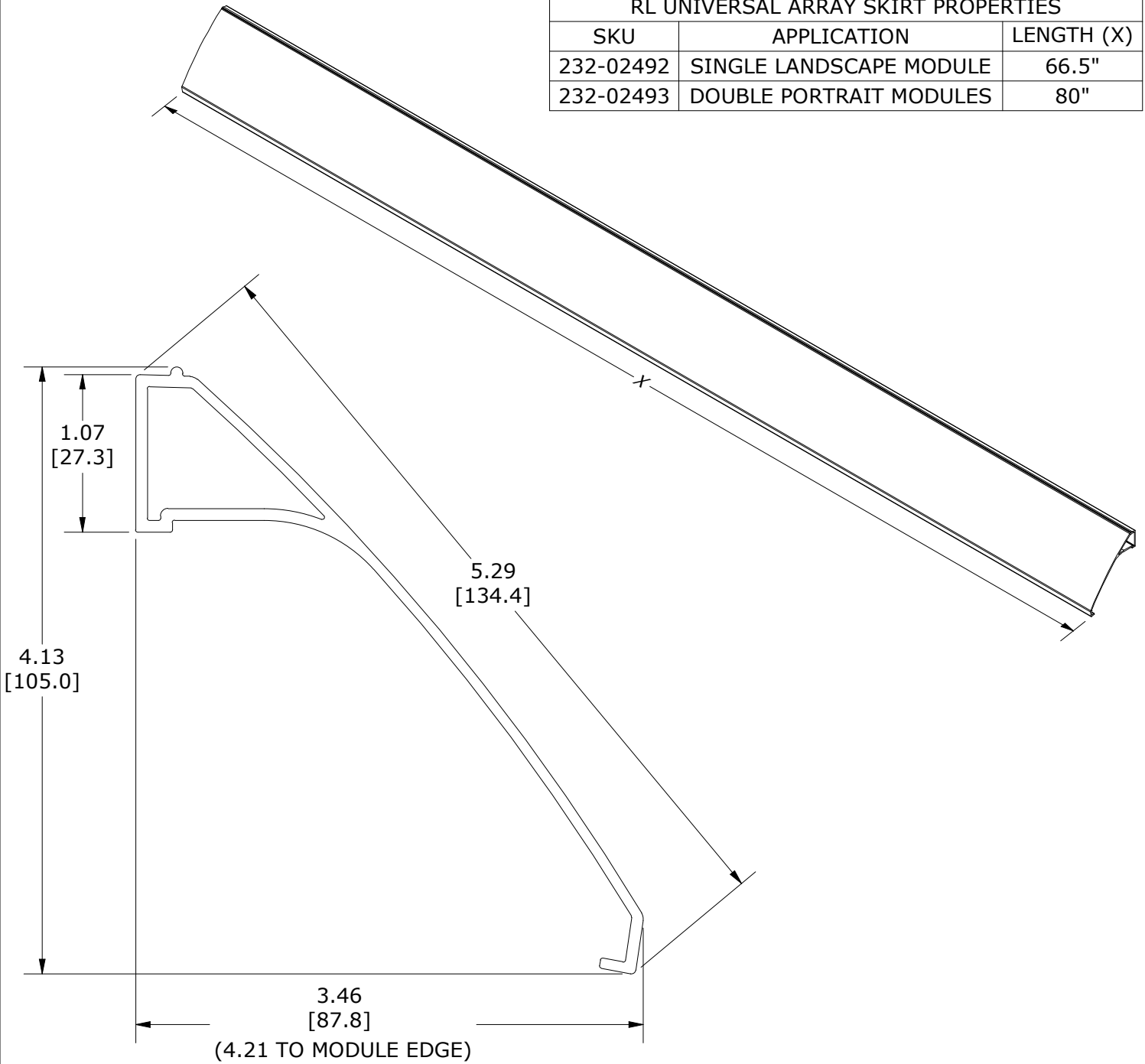
225 BUSH STREET, SUITE 1400 • SAN FRANCISCO, CA 94104 USA
 PHONE (877) 732-2860 • CONTACT@SNAPNRACK.COM

THE INFORMATION IN THIS DRAWING IS CONFIDENTIAL AND PROPRIETARY. ANY REPRODUCTION, DISCLOSURE, OR USE THEREOF IS PROHIBITED WITHOUT THE WRITTEN CONSENT OF SUNRUN SOUTH LLC.

UNITS: IN, LB, DEG [MM, KG, DEG]

SHEET: 1:1

RL UNIVERSAL ARRAY SKIRT PROPERTIES		
SKU	APPLICATION	LENGTH (X)
232-02492	SINGLE LANDSCAPE MODULE	66.5"
232-02493	DOUBLE PORTRAIT MODULES	80"



MATERIALS: 6000 SERIES ALUMINUM

DESIGN LOAD (LBS): N/A

ULTIMATE LOAD (LBS): N/A

TORQUE SPECIFICATION: N/A FT-LBS

CERTIFICATION: UL 2703, FILE E359313

WEIGHT (LBS): 3.94 - 4.74