

DESCRIPTION:
**SNAPNRACK, TDS, MLPE FRAME ATTACHMENT
 KIT**

DOC NUMBER:
 SNR-DC-01387

SnapNrack®

PART NUMBER(S):

242-02151

DRAWN BY:
 H.WULFEKOETTER

REV: **B** DATE:
 1/24/2023

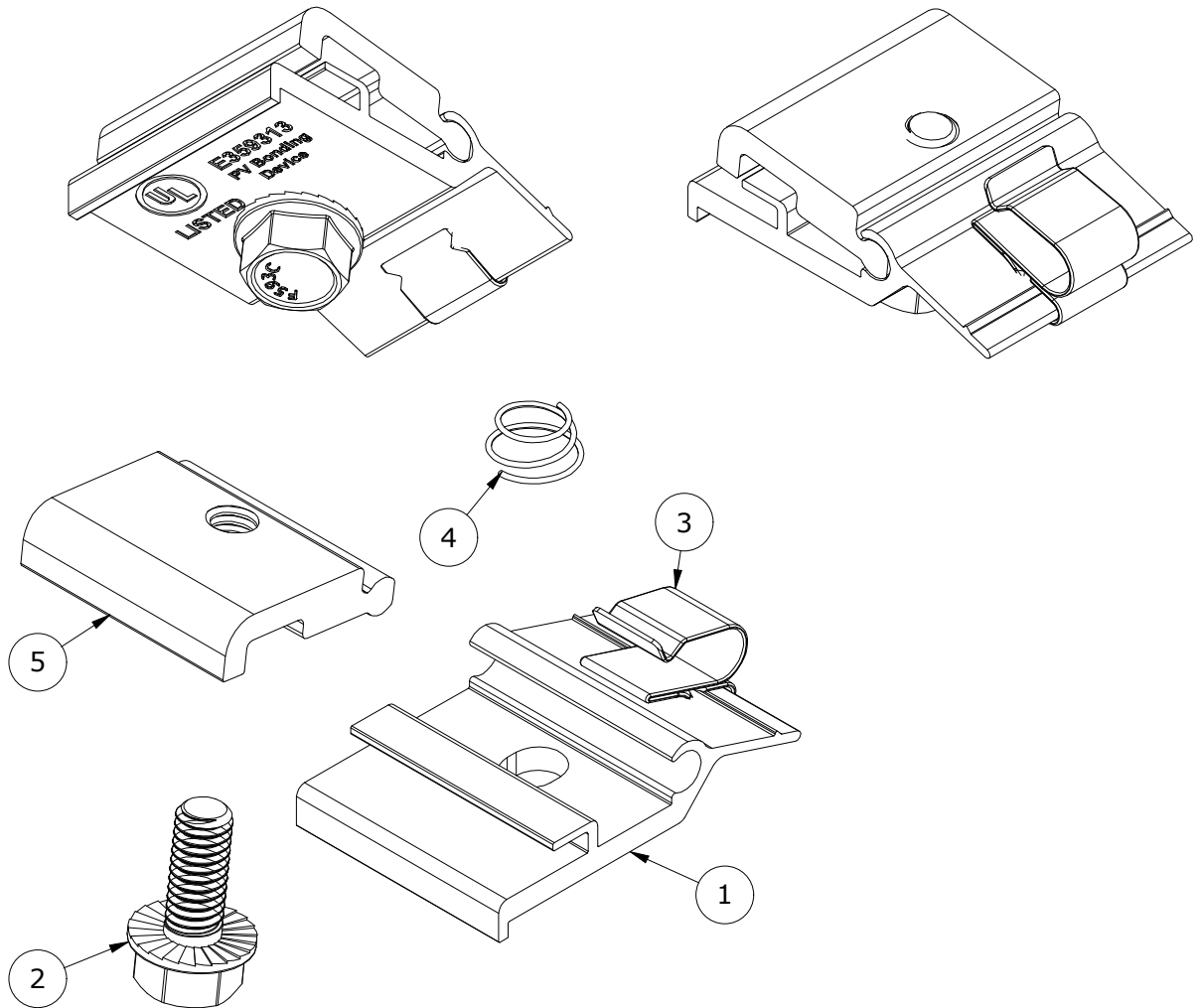
SUNRUN INSTALLATION SERVICES INC.

225 BUSH STREET, SUITE 1400 • SAN FRANCISCO, CA 94104 USA
 PHONE (877) 732-2860 • CONTACT@SNAPNRACK.COM

THE INFORMATION IN THIS DRAWING IS CONFIDENTIAL AND PROPRIETARY. ANY
 REPRODUCTION, DISCLOSURE, OR USE THEREOF IS PROHIBITED WITHOUT THE
 WRITTEN CONSENT OF SUNRUN SOUTH LLC.

UNITS: IN, LB, DEG [MM, KG, DEG]

SHEET: 1:2



PARTS LIST		
ITEM	QTY	DESCRIPTION
1	1	SNAPNRACK, MLPE FRAME ATTACHMENT BOTTOM PRC
2	1	BOLT, FLANGE, 5/16IN-18 X 3/4IN, CLEAR, SS
3	1	SNAPNRACK, SMART CLIP II
4	1	SNAPNRACK, COIL SPRING FOR MLPE FRAME ATTACHMENT
5	1	SNAPNRACK, MLPE FRAME ATTACHMENT TOP PRC

MATERIALS: 6000 SERIES ALUMINUM, STAINLESS STEEL

DESIGN LOAD (LBS): N/A

ULTIMATE LOAD (LBS): N/A

TORQUE SPECIFICATION: 10 FT-LBS

CERTIFICATION: UL 2703, FILE E359313

WEIGHT (LBS): 0.13

DESCRIPTION:
SNAPNRACK, TDS, MLPE FRAME ATTACHMENT
KIT

DOC NUMBER:
SNR-DC-01387

SnapNrack®

PART NUMBER(S):

242-02151

DRAWN BY:
H.WULFEKOETTER

SUNRUN INSTALLATION SERVICES INC.

REV: **B** DATE:
1/24/2023

225 BUSH STREET, SUITE 1400 • SAN FRANCISCO, CA 94104 USA
PHONE (877) 732-2860 • CONTACT@SNAPNRACK.COM

THE INFORMATION IN THIS DRAWING IS CONFIDENTIAL AND PROPRIETARY. ANY
REPRODUCTION, DISCLOSURE, OR USE THEREOF IS PROHIBITED WITHOUT THE
WRITTEN CONSENT OF SUNRUN SOUTH LLC.

UNITS: IN, LB, DEG [MM, KG, DEG]

SHEET: 2:2

