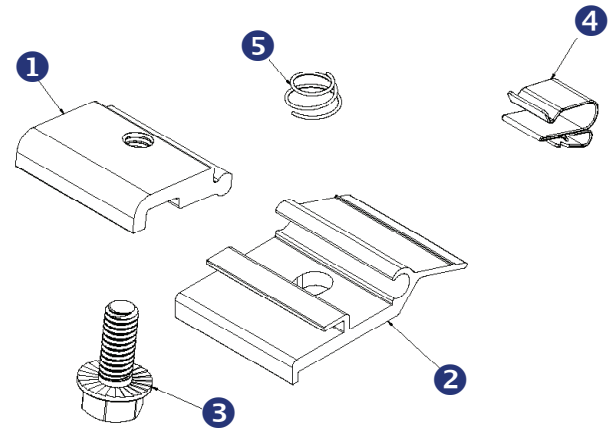


MLPE Frame Attachment Kit Installation Manual

Part No. 242-02151

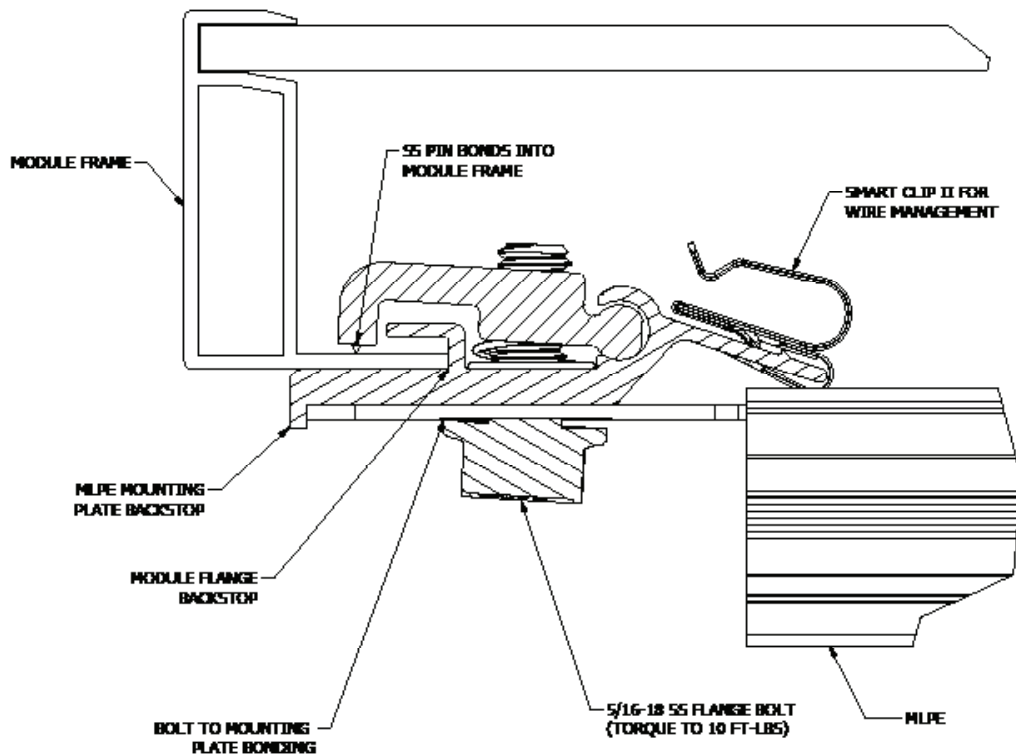
Materials Included

- ① (1) SnapNrack MLPE Frame Attachment Top
- ② (1) SnapNrack MLPE Frame Attachment Bottom
- ③ (1) 5/16"-18 X 3/4" Serrated Flange Bolt SS
- ④ (1) SnapNrack Smart Clip II
- ⑤ (1) SnapNrack MLPE Frame Attachment Coil Spring SS



Hardware Description	Torque Specification
MLPE Frame Attachment Bolt	10 lb-ft (120 lb-in)

Technical Specifications	
Material	6000 Series Aluminum, Stainless Steel Hardware
Certifications	UL 2703. Also Listed for use with SnapNrack S100, S200, and RL mounting systems.
Maximum Fuse Rating	20 A Series Fuse
Module Flange Compatibility	Flange thickness range between 0.8mm and 2.4mm
See Appendix A for certified MLPE devices	



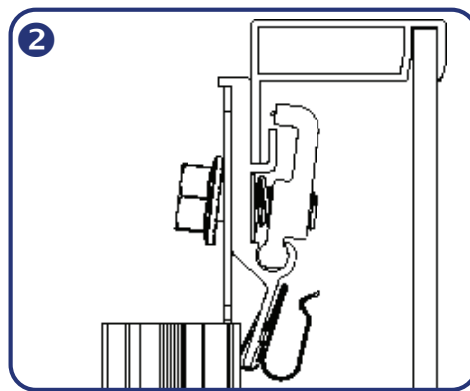
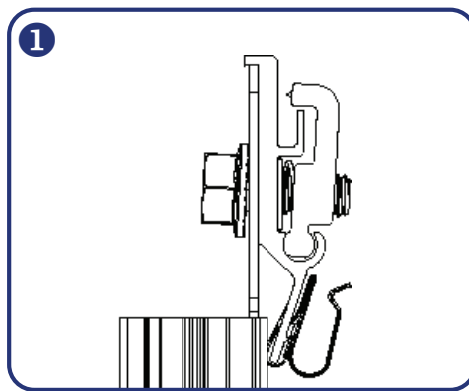
Required Tools

- Socket Wrench
- Torque Wrench
- 1/2" Socket

Step-by-Step Instructions

1. Slide the backplate channel of the MLPE device under the MLPE Frame Attachment Kit bolt. The MLPE mounting plate should rest against the MLPE mounting plate backstop on the MLPE Frame Attachment Kit.
2. Position the MLPE Frame Attachment Kit on the module frame flange in a location that will not interfere with mounting system components. The module frame flange should rest against the module frame backstop on the MLPE Frame Attachment Kit.

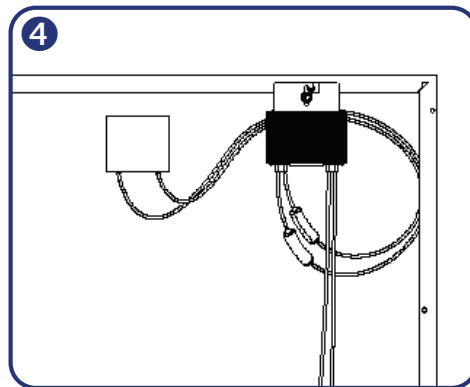
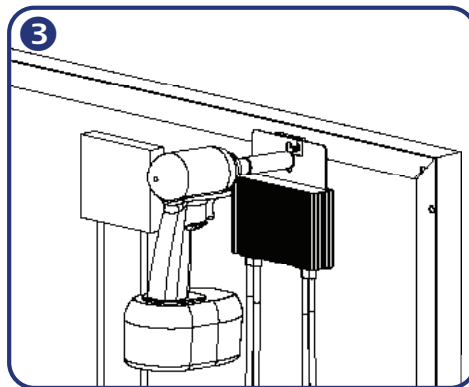
INSTALL NOTE: Avoid blocking module frame drainage holes when installing the MLPE Frame Attachment Kit.



3. Tighten the mounting bolt on the MLPE Frame Attachment Kit to 10 lb-ft (120 lb-in).

NOTE: The MLPE Frame Attachment Kit bonds the following components: Module Frame, MLPE backplate and Smart Clip.

4. Connect the module leads to the input connectors on the MLPE device and manage conductors with the integrated Smart Clip.



Appendix A

SnapNrack RL Universal has been tested with the following Module Level Power Electronic (MLPE) devices:

SnapNrack RL Universal mounting systems has been tested with the following UL/NRTL Listed Module Level Power Electronic (MLPE) Devices. The back plates of the MLPEs have been evaluated for bonding to RL Universal through the SnapNrack MLPE Frame Attachment Kit, model 242-02151.

MLPE Manufacturer	Model	
AP Smart	RSD-S-PLC	
Celestica International	DG-006-F001201x	DG-006-F001401x
Delta Electronics	GPI00010105	
Enphase	C250	IQ7PLUS-72-2-US
	M215	IQ7PLUS-72-B-US
	M250	IQ8-60
	IQ6-60-2-US	IQ8PLUS-72
	IQ6PLUS-72-2-US	IQ8A-72
	IQ7-60-2-US	IQ8H-208-72
	IQ7-60-B-US	IQ8H-240-72
Generec	S2502	
Ginlong Technologies	Solis-RSD-1G	
	Solis-MLRSD-R1-1G	Solis-MLRSD-R2-1G
SolarEdge	P300-5NC4ARS	P320-5NC4ARS
	P370-5NC4AFS	P400-5NC4AFS
	P320	P340
	P370	P400
	P401	P405
	P485	P505
	P730	P800p
	P850	P860
	P950	P1100
	P1101	S440
		S500
SMA	RSB-2S-US-10	
Tigo	TS4-R-F	TS4-R-M
	TS4-R-O	TS4-R-S
	TS4-R-M-DUO	TS4-R-O-DUO
	TS4-R-S-DUO	TS4-A-F
	TS4-A-2F	TS4-A-O
		TS4-A-S