

PROFILE VIEW

NOTES:
 1. ARRAY DIMENSIONS WILL VARY BASED ON
 MODULE WIDTH, LENGTH AND RETURN FLANGE.

UNIRAC[®]
 1411 BROADWAY BLVD. NE
 ALBUQUERQUE, NM 87102 USA
 PHONE: 505.242.6411
 WWW.UNIRAC.COM

PRODUCT LINE:	RM10 EVO
DRAWING TYPE:	SYSTEM ASSEMBLY
DESCRIPTION:	RM10 EVO
REVISION DATE:	12/10/2021

DRAWING NOT TO SCALE
 ALL DIMENSIONS ARE
 NOMINAL

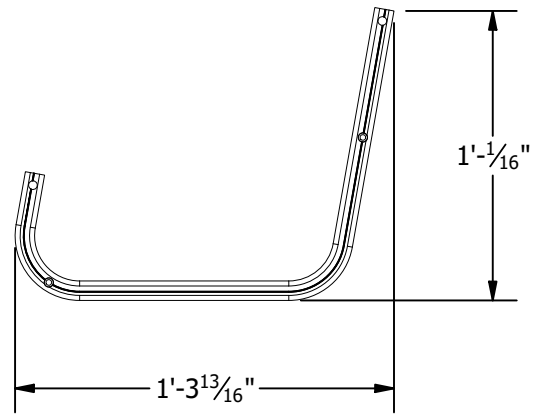
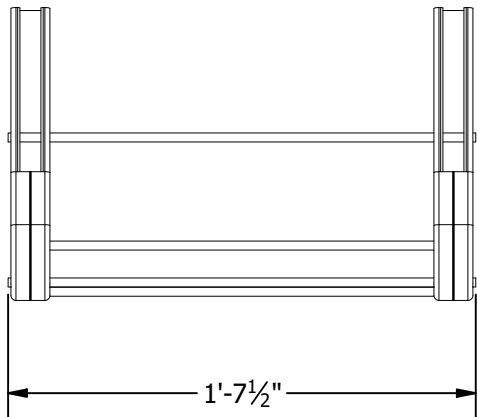
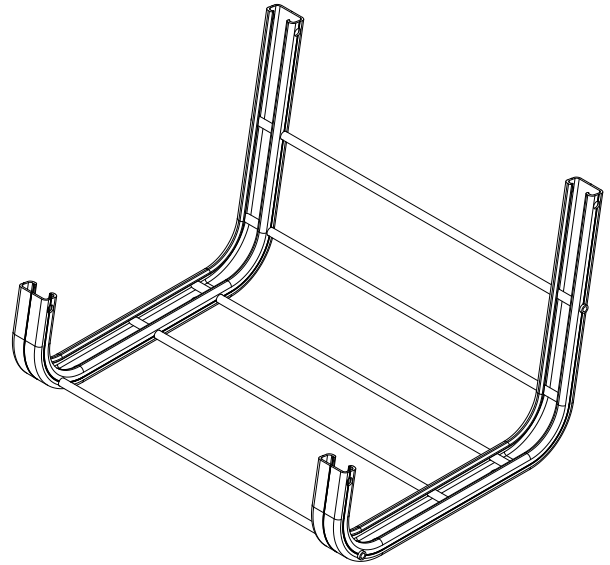
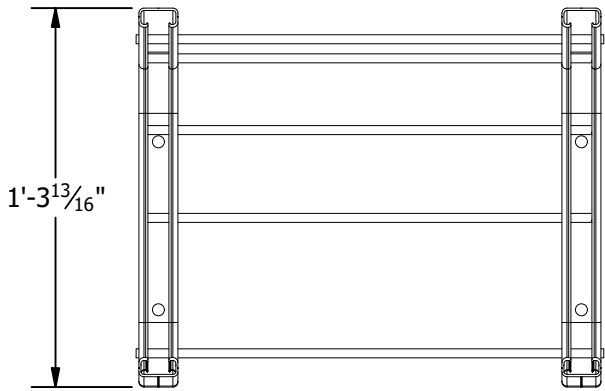
PRODUCT PROTECTED BY
 ONE OR MORE US PATENTS

LEGAL NOTICE

EVO-A01

SHEET

ASSEMBLY # TABLE	
P/N	DESCRIPTION
370010	RM10 EVO FIELD BAY



1411 BROADWAY BLVD. NE
 ALBUQUERQUE, NM 87102 USA
 PHONE: 505.242.6411
 WWW.UNIRAC.COM

PRODUCT LINE:	RM10 EVO
DRAWING TYPE:	PARTS ASSEMBLY
DESCRIPTION:	FIELD BAY ASSEMBLY
REVISION DATE:	12/10/2021

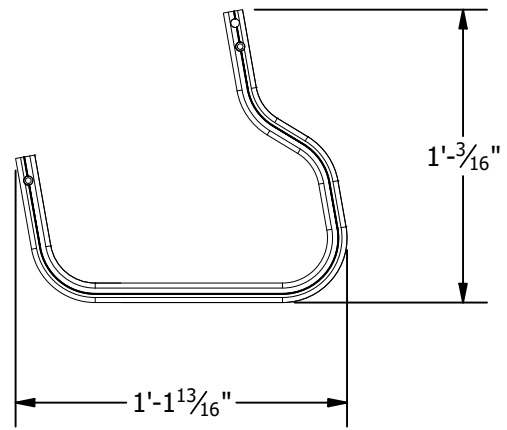
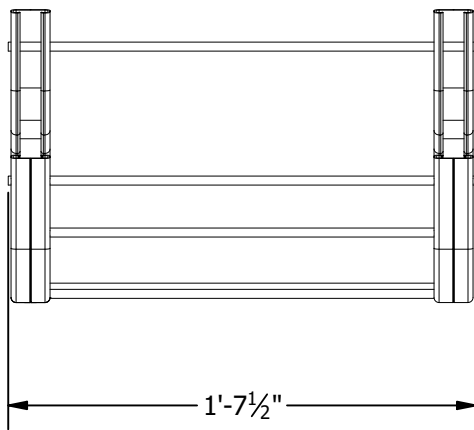
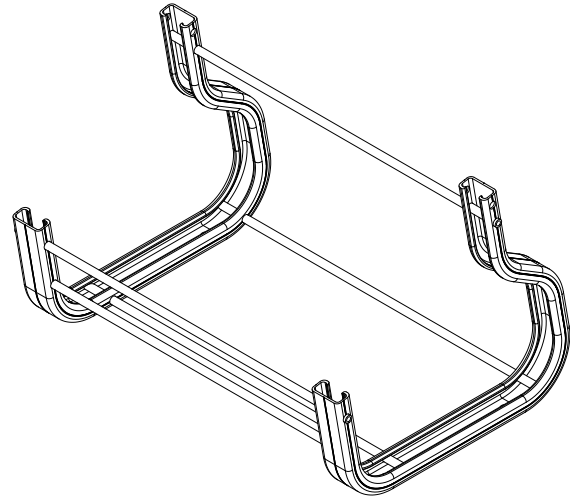
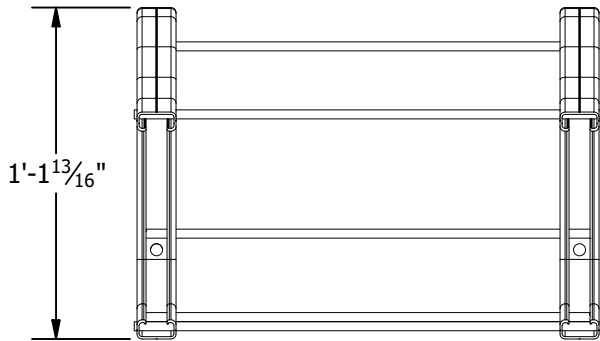
DRAWING NOT TO SCALE
 ALL DIMENSIONS ARE
 NOMINAL

PRODUCT PROTECTED BY
 ONE OR MORE US PATENTS
 LEGAL NOTICE

EVO-A02
 SHEET

ASSEMBLY # TABLE

P/N	DESCRIPTION
370011	RM10 EVO NORTH ROW BAY



1411 BROADWAY BLVD. NE
 ALBUQUERQUE, NM 87102 USA
 PHONE: 505.242.6411
 WWW.UNIRAC.COM

PRODUCT LINE:	RM10 EVO
DRAWING TYPE:	PARTS ASSEMBLY
DESCRIPTION:	NORTH BAY ASSEMBLY
REVISION DATE:	12/10/2021

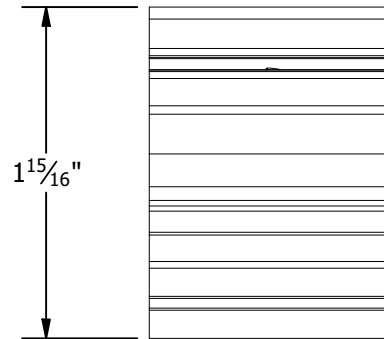
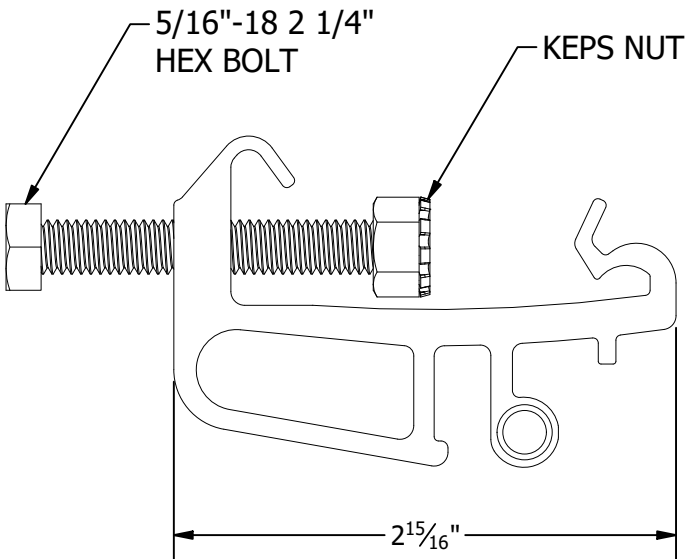
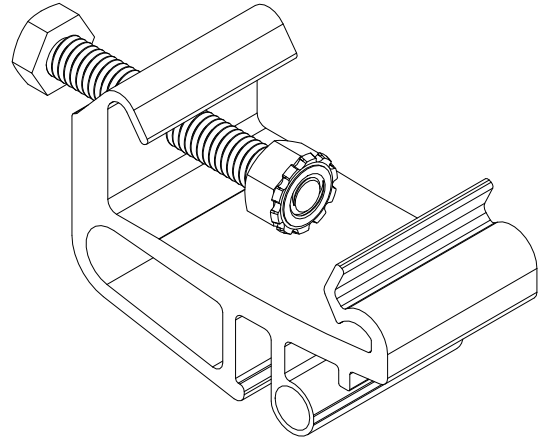
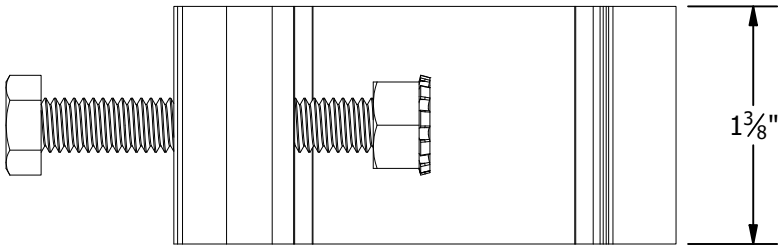
DRAWING NOT TO SCALE
 ALL DIMENSIONS ARE
 NOMINAL

PRODUCT PROTECTED BY
 ONE OR MORE US PATENTS
 LEGAL NOTICE

EVO-A03

SHEET

ASSEMBLY # TABLE	
P/N	DESCRIPTION
370023	RM10 EVO MODULE CLIP W/BOLT



1411 BROADWAY BLVD. NE
 ALBUQUERQUE, NM 87102 USA
 PHONE: 505.242.6411
 WWW.UNIRAC.COM

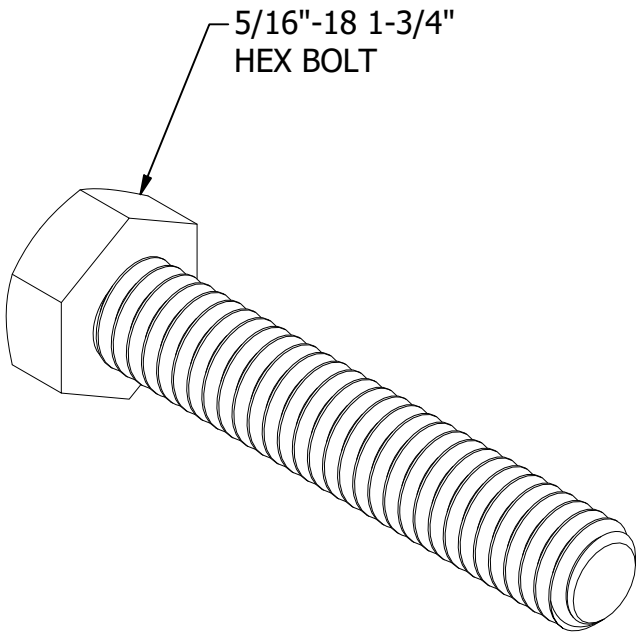
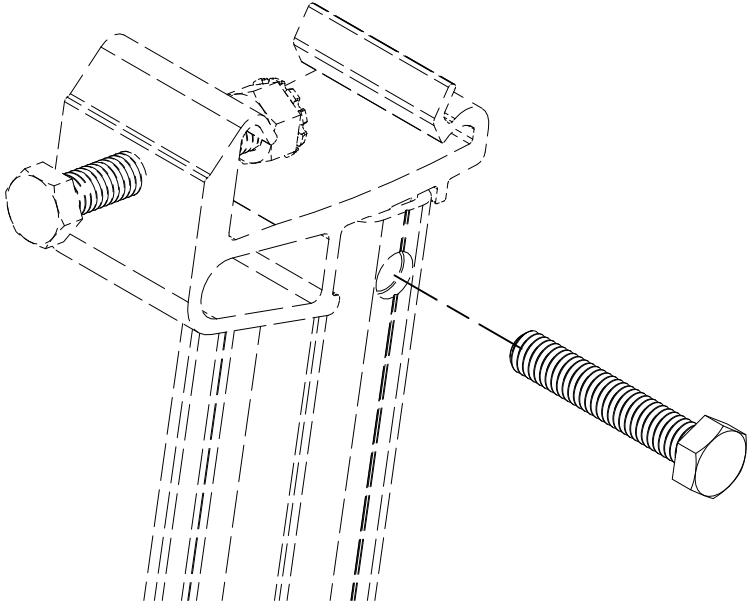
PRODUCT LINE:	RM10 EVO
DRAWING TYPE:	PARTS ASSEMBLY
DESCRIPTION:	MODULE CLIP ASSEMBLY
REVISION DATE:	12/10/2021

DRAWING NOT TO SCALE
 ALL DIMENSIONS ARE
 NOMINAL

PRODUCT PROTECTED BY
 ONE OR MORE US PATENTS
 LEGAL NOTICE

EVO-A04
 SHEET

ASSEMBLY # TABLE	
P/N	DESCRIPTION
370022	RM10 EVO MODULE CLIP PIN BOLT



5/16"-18 1-3/4"
HEX BOLT

UNIRAC[®]
 1411 BROADWAY BLVD. NE
 ALBUQUERQUE, NM 87102 USA
 PHONE: 505.242.6411
 WWW.UNIRAC.COM

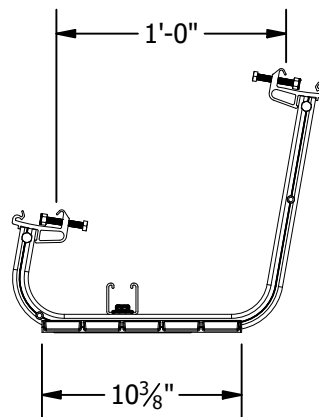
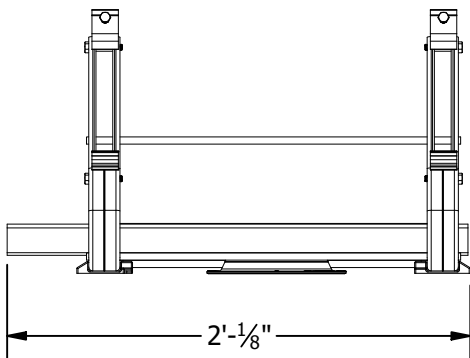
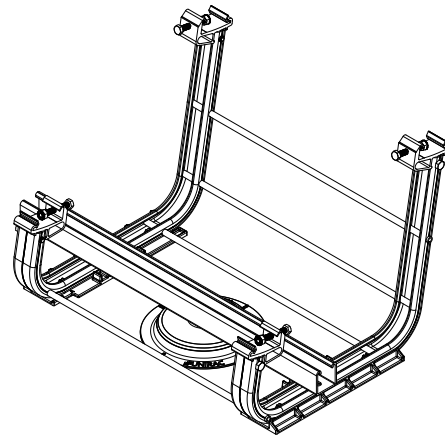
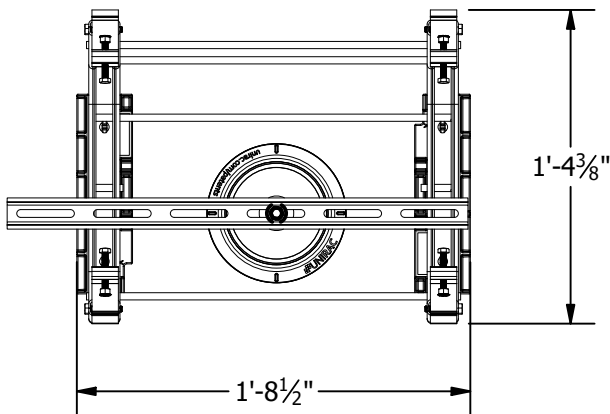
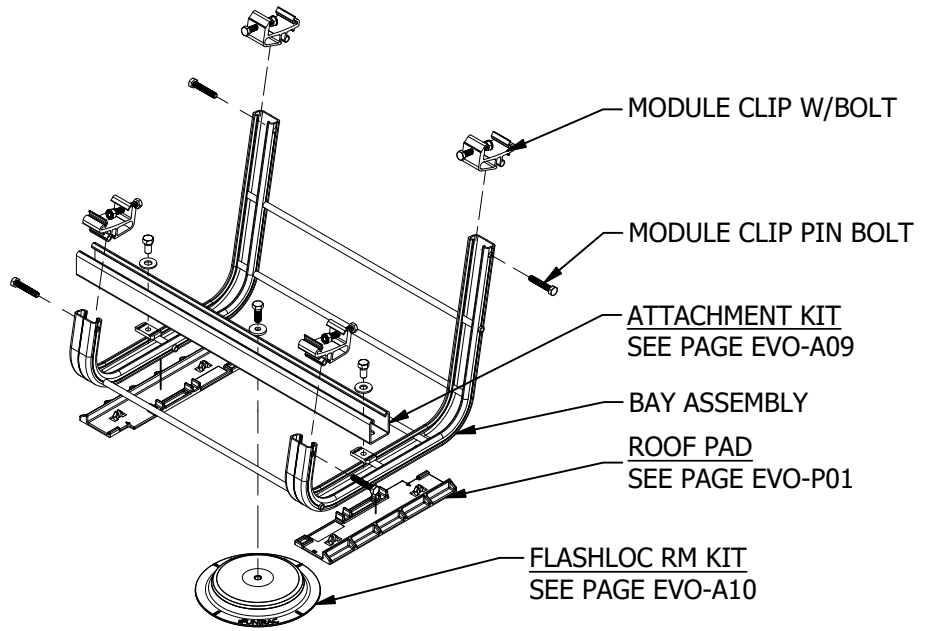
PRODUCT LINE:	RM10 EVO
DRAWING TYPE:	PARTS
DESCRIPTION:	MODULE CLIP PIN BOLT
REVISION DATE:	12/10/2021

DRAWING NOT TO SCALE
 ALL DIMENSIONS ARE
 NOMINAL

PRODUCT PROTECTED BY
 ONE OR MORE US PATENTS

LEGAL NOTICE

EVO-A05
 SHEET



1411 BROADWAY BLVD. NE
ALBUQUERQUE, NM 87102 USA
PHONE: 505.242.6411
WWW.UNIRAC.COM

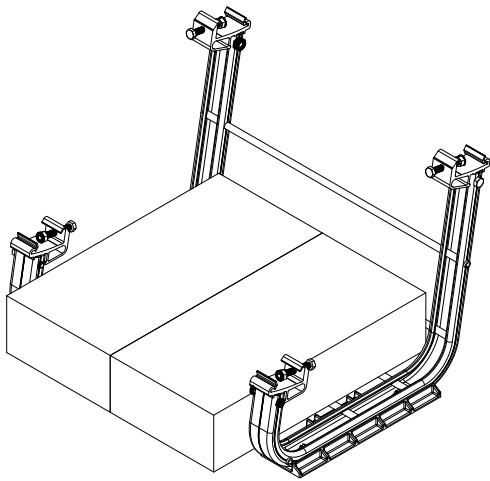
PRODUCT LINE:	RM10 EVO
DRAWING TYPE:	PARTS ASSEMBLY
DESCRIPTION:	ROOF ATTACHMENT ASSEMBLY
REVISION DATE:	12/10/2021

DRAWING NOT TO SCALE
ALL DIMENSIONS ARE
NOMINAL

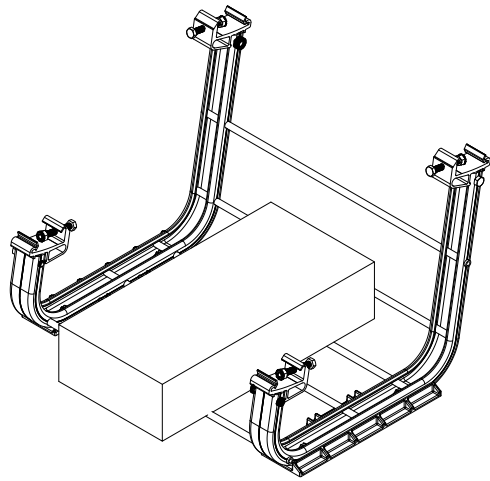
PRODUCT PROTECTED BY
ONE OR MORE US PATENTS
LEGAL NOTICE

EVO-A06

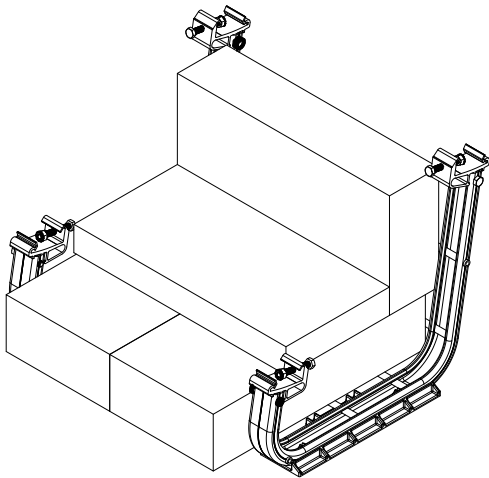
SHEET



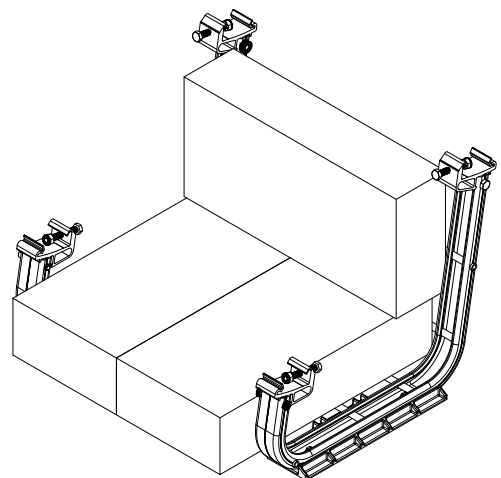
2 BLOCK BAY



1 BLOCK BAY



3-1/2 BLOCK BAY



3 BLOCK BAY



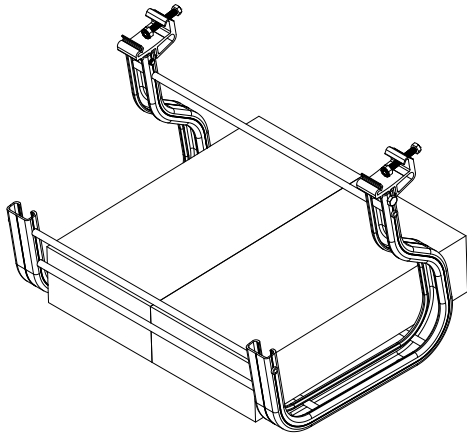
1411 BROADWAY BLVD. NE
ALBUQUERQUE, NM 87102 USA
PHONE: 505.242.6411
WWW.UNIRAC.COM

PRODUCT LINE:	RM10 EVO
DRAWING TYPE:	PARTS ASSEMBLY
DESCRIPTION:	FIELD BAY BALLAST LAYOUT
REVISION DATE:	12/10/2021

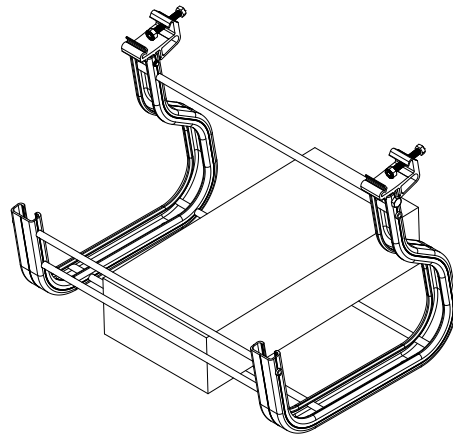
DRAWING NOT TO SCALE
ALL DIMENSIONS ARE
NOMINAL

PRODUCT PROTECTED BY
ONE OR MORE US PATENTS
LEGAL NOTICE

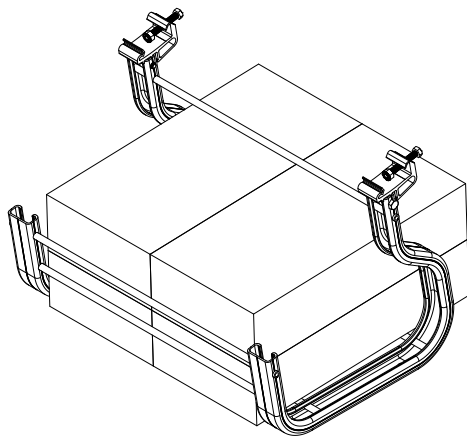
EVO-A07
SHEET



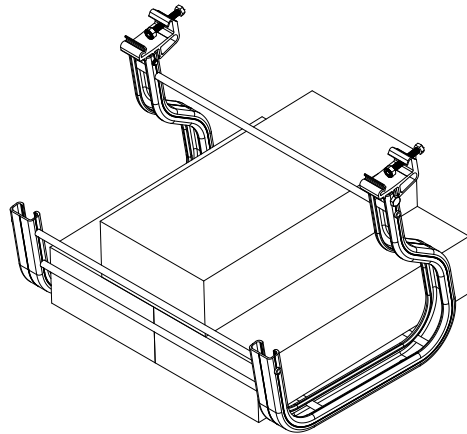
2 BLOCK BAY



1 BLOCK BAY



4 BLOCK BAY



3 BLOCK BAY



1411 BROADWAY BLVD. NE
 ALBUQUERQUE, NM 87102 USA
 PHONE: 505.242.6411
 WWW.UNIRAC.COM

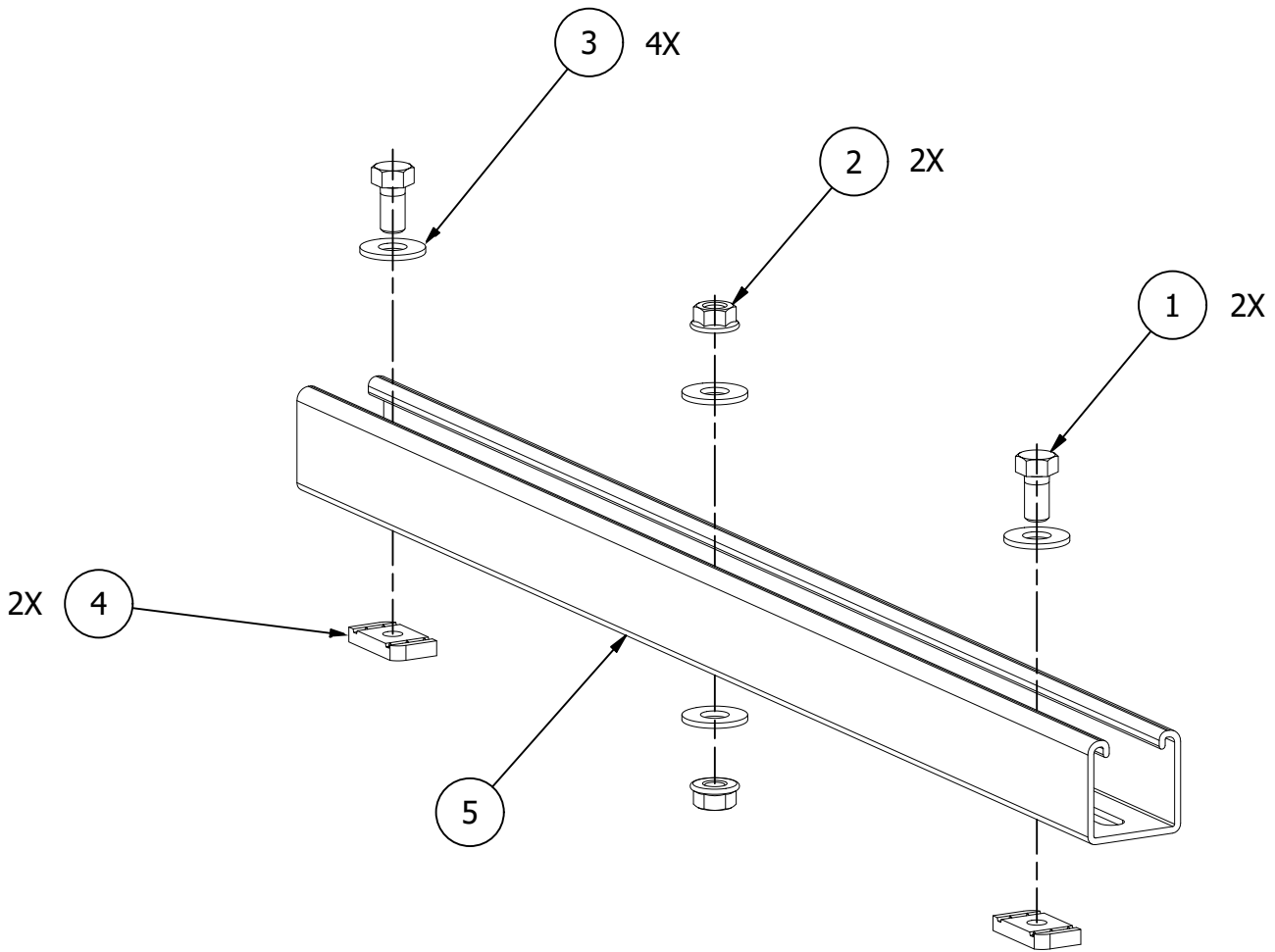
PRODUCT LINE:	RM10 EVO
DRAWING TYPE:	PARTS ASSEMBLY
DESCRIPTION:	NORTH BAY BALLAST LAYOUT
REVISION DATE:	12/10/2021

DRAWING NOT TO SCALE
 ALL DIMENSIONS ARE
 NOMINAL

PRODUCT PROTECTED BY
 ONE OR MORE US PATENTS
 LEGAL NOTICE

EVO-A08
 SHEET

ASSEMBLY # TABLE	
P/N	DESCRIPTION
310771	RM10 ATTACHMENT KIT



ATTACHMENT PARTS LIST			
ITEM	QTY	PART NUMBER	DESCRIPTION
1	2	M30304	3/8-16 X 3/4 HEX BOLT, SS
2	2	M31184	3/8-16 HEX FLANGE NUT, SS
3	4	M31130	3/8 WASHER, SS
4	2	M30383	3/8-16 STRUT NUT, ZN
5	1	M40600	1 5/8 X 1 5/8 X 24 IN STRUT, GALV



1411 BROADWAY BLVD. NE
 ALBUQUERQUE, NM 87102 USA
 PHONE: 505.242.6411
 WWW.UNIRAC.COM

PRODUCT LINE: RM10 EVO

DRAWING TYPE: ASSEMBLY

DESCRIPTION: RM10 ATTACHMENT KIT

REVISION DATE: 12/10/2021

DRAWING NOT TO SCALE
 ALL DIMENSIONS ARE
 NOMINAL

PRODUCT PROTECTED BY
 ONE OR MORE US PATENTS

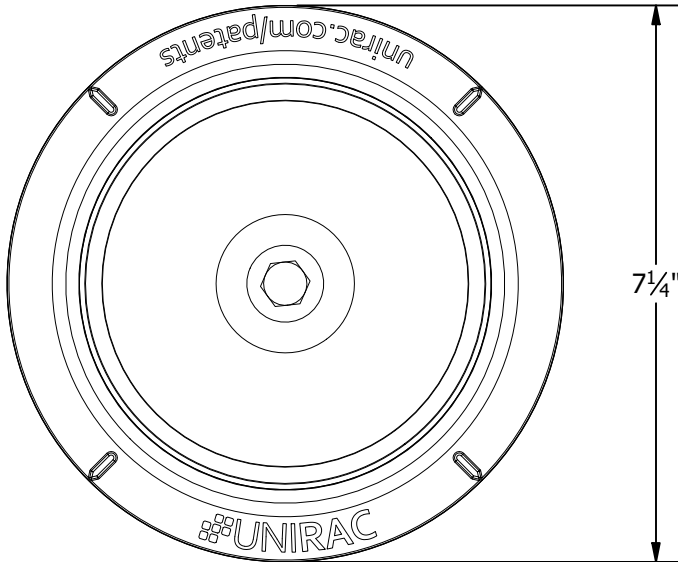
LEGAL NOTICE

EVO-A09

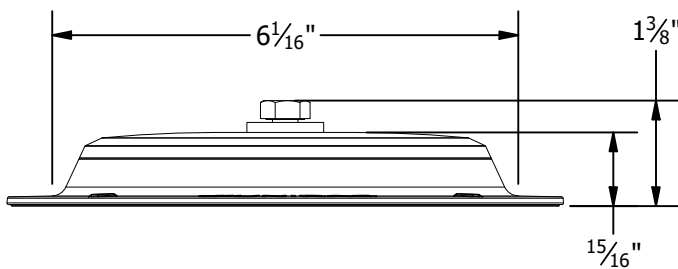
SHEET

NOTES:

1. ATTACHMENT CAN ACCOMMODATE ROOFING SCREW SIZES #12 - #15. FASTENER SIZE, LENGTH, AND QUANTITY TO BE SELECTED BY STRUCTURAL ENGINEER OF RECORD WHEN DESIGNING FOR THE SPECIFIC PROJECT CONSTRUCTION AND CAPACITY.
2. REFER TO THE UNIRAC INSTALLATION GUIDE FOR PROPER USE OF CHEM LINK M1 AND ONE-PART SEALANTS FOR WATER TIGHT INSTALLATION.

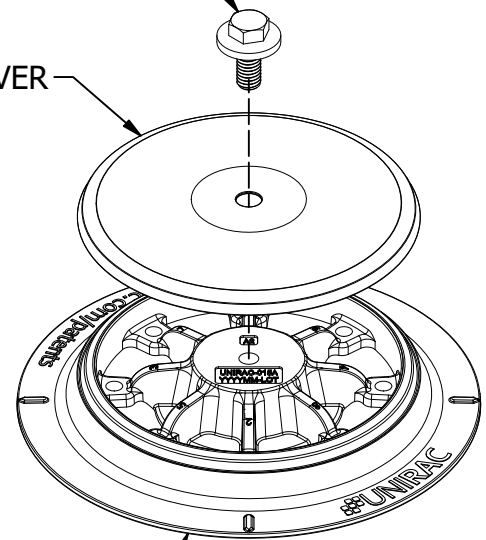


TOP VIEW



Ø 3/8" HARDWARE
(PRE-ASSEMBLED)

COVER



BASE

PART # TABLE	
P/N	DESCRIPTION
310999	FLASHLOC RM KIT

ULTIMATE TEST LOAD (WITH 8 ROOF FASTENERS)

UPLIFT ULTIMATE CAPACITY	6,670 lbs.
SHEAR ULTIMATE CAPACITY	5,760 lbs.



1411 BROADWAY BLVD. NE
ALBUQUERQUE, NM 87102 USA
PHONE: 505.242.6411
WWW.UNIRAC.COM

PRODUCT LINE:	RM10 EVO
DRAWING TYPE:	ASSEMBLY DETAIL
DESCRIPTION:	FLASHLOC RM KIT
REVISION DATE:	12/10/2021

DRAWING NOT TO SCALE
ALL DIMENSIONS ARE
NOMINAL

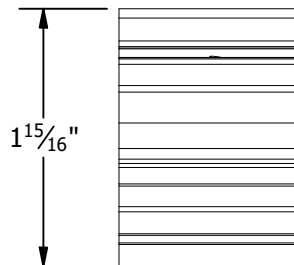
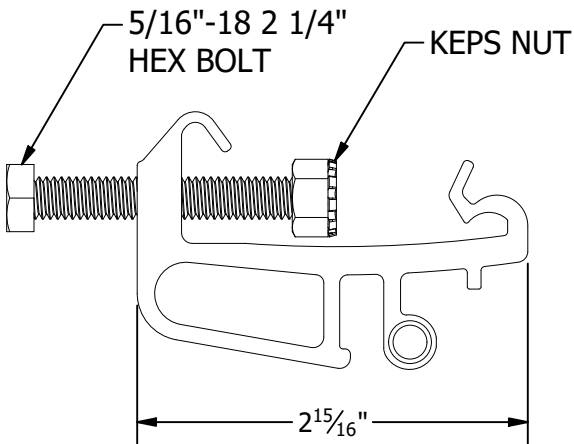
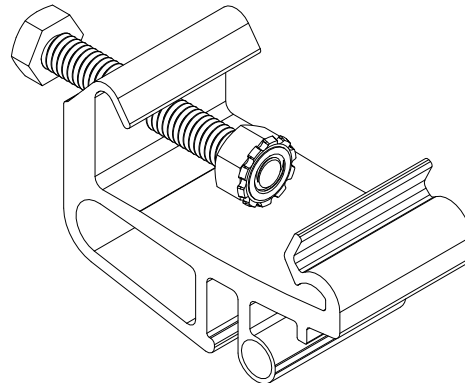
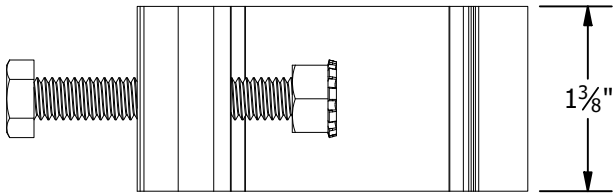
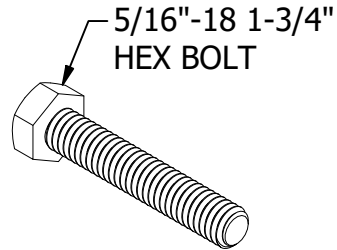
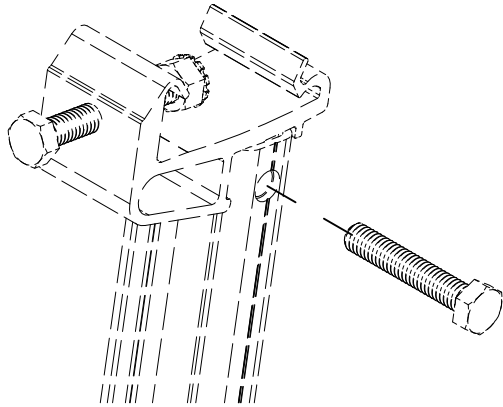
PRODUCT PROTECTED BY
ONE OR MORE US PATENTS
LEGAL NOTICE

EVO-A10

SHEET

ASSEMBLY # TABLE

P/N	DESCRIPTION
370020	RM10 EVO MODULE CLAMP KIT



1411 BROADWAY BLVD. NE
 ALBUQUERQUE, NM 87102 USA
 PHONE: 505.242.6411
 WWW.UNIRAC.COM

PRODUCT LINE:	RM10 EVO
DRAWING TYPE:	PARTS
DESCRIPTION:	MODULE CLIP PIN BOLT
REVISION DATE:	12/10/2021

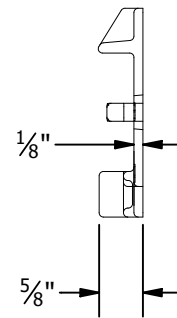
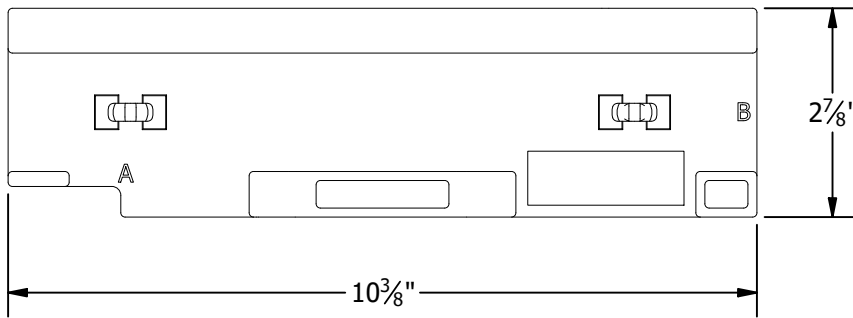
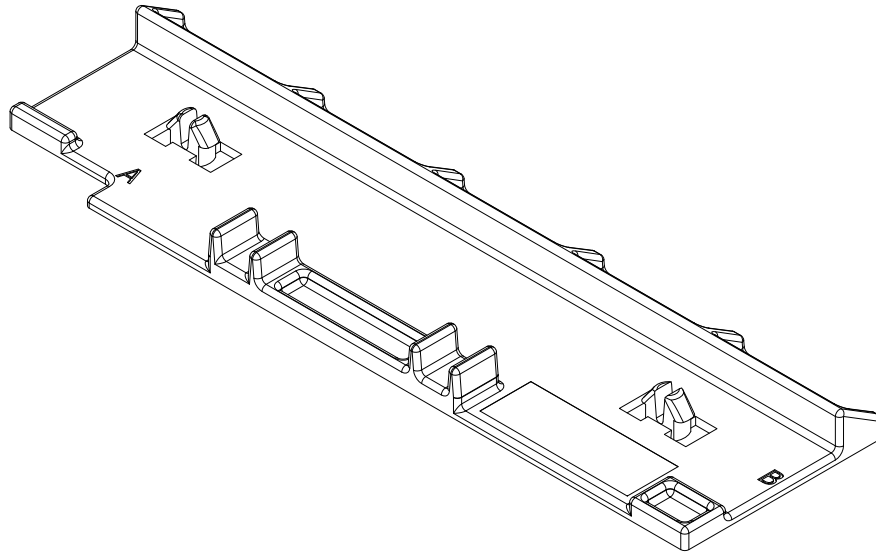
DRAWING NOT TO SCALE
 ALL DIMENSIONS ARE
 NOMINAL

PRODUCT PROTECTED BY
 ONE OR MORE US PATENTS

LEGAL NOTICE

EVO-A11
 SHEET

PART # TABLE	
P/N	DESCRIPTION
310760	RM10 ROOF PAD



NOTES:

1. MATERIAL: TPE 70 SHORE A: SANTOPRENE 201-73, ELASTOCON 2870 OR UNISOFT TPE ST-70A BK-2-01.
2. FINISH: BLACK



1411 BROADWAY BLVD. NE
 ALBUQUERQUE, NM 87102 USA
 PHONE: 505.242.6411
 WWW.UNIRAC.COM

PRODUCT LINE:	RM10 EVO
DRAWING TYPE:	PART
DESCRIPTION:	RM10 ROOF PAD
REVISION DATE:	12/10/2021

DRAWING NOT TO SCALE
 ALL DIMENSIONS ARE
 NOMINAL

PRODUCT PROTECTED BY
 ONE OR MORE US PATENTS
 LEGAL NOTICE

EVO-P01

SHEET