

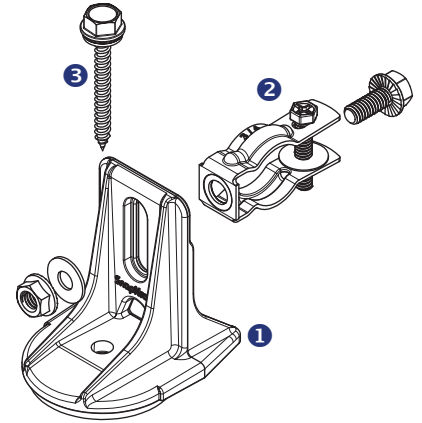
SpeedSeal™ Conduit Support Installation Manual

Conduit Mount Assemblies

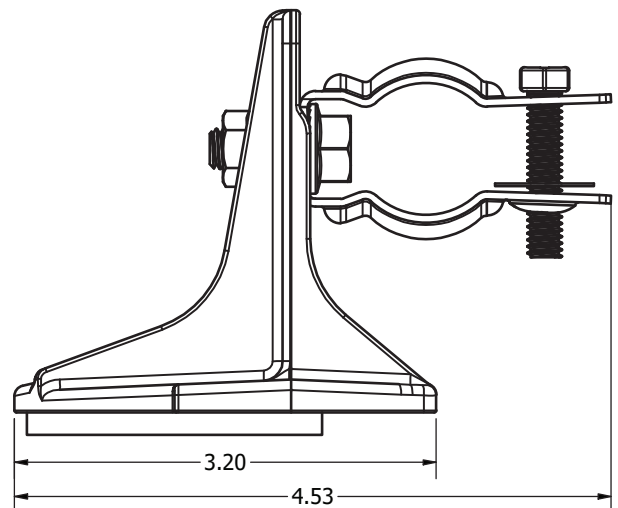
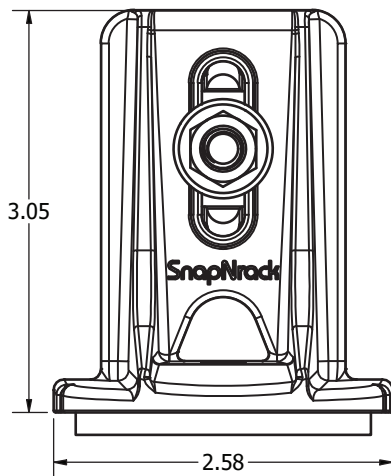
- SpeedSeal™ Conduit Mount Kit, ¾" EMT - 242-05164
- SpeedSeal™ Conduit Mount Kit, 1" EMT - 242-05165

Materials Included

- ① (1) SnapNrack SpeedSeal™ Foot
- ② (1) EMT Conduit Hanger (¾" or 1")
- ③ (1) SnapNrack Sealing Wood Screw #14 x 2¼"



| Technical Specifications | |
|--------------------------|--|
| Material | SnapNrack SpeedSeal™ Foot: A380 Aluminum Conduit Hanger: Zinc-Plated Steel (¾" or 1") #14 x 2¼" Wood Screw: Stainless Steel |
| Compatibility | ¾" or 1" EMT Conduit; Steep Slope composition shingle roofs 9½° or greater, rolled comp or other compatible Low Slope roofs when appropriate |



SpeedSeal™ Conduit Mount Kit Dimensioned

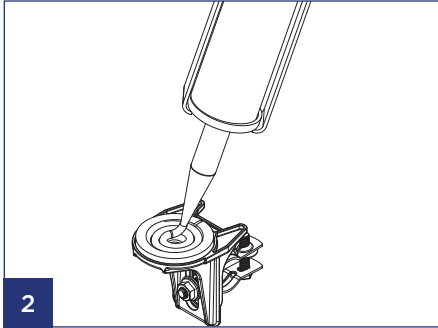
Required Tools

- Impact Driver
- Tape Measure
- 1/2" Socket
- Roofing Sealant
- 7/16" Socket or Phillips Bit

Install Instructions

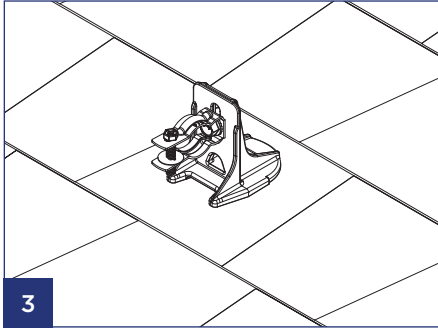
1 Determine location of conduit supports based on conduit run and mark roof surface if desired.

⚠ Design Note
Conduit support locations shall meet the requirements of NEC Article 358, and should not exceed 10' between supports or 3' from enclosures.



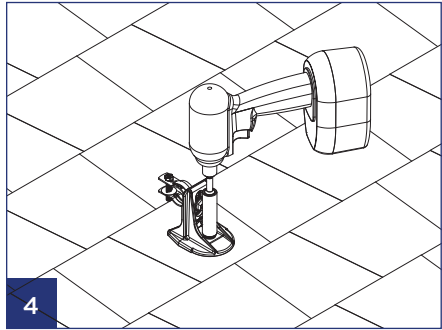
2 Turn the SpeedSeal™ Conduit Support over & fill the sealant dam on the bottom of the SpeedSeal™ Foot with sealant.

⚠ Important
The SpeedSeal™ Conduit Mount must be installed immediately after filling with sealant before the sealant skins over.



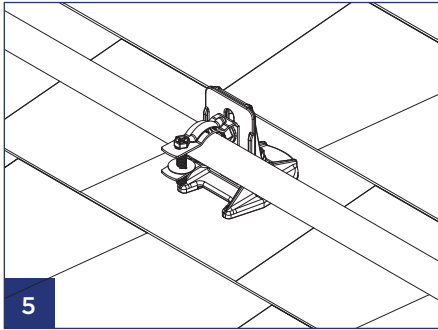
3 Place the SpeedSeal™ Conduit Support onto the roof surface in desired location. Support can be oriented in any direction.

⚠ Important
The foam gasket on the bottom of the SpeedSeal™ Conduit Support must be installed on only one shingle course & shall not overlap courses N-S.



4 Using an impact driver & 1/2" socket drive the #14 wood screw into the roof decking until the EPDM washer under the hex head begins to push out the sides of the fastener.

⚠ Important
When installed correctly there should be sealant expelled from the vent in the foam sealant dam.



5 Place conduit into the support strap and tighten hardware until conduit is secure.

⚠ Design Note
The minimum height EMT must be above the roof surface is 7/8" per NEC 310.15(B)(2). Pay close attention to this when routing EMT over ridges or through valleys in the roof.