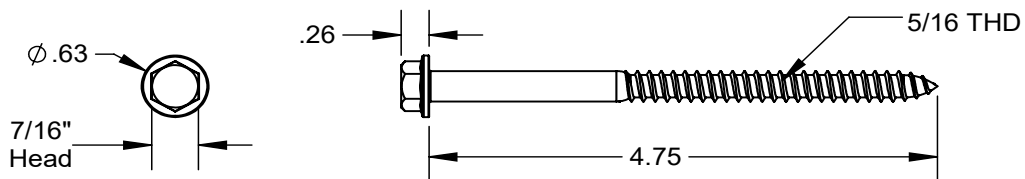


| ITEM NO. | DESCRIPTION | Qty in Kit |
|----------|-----------------------|------------|
| 1 | BOLT LAG 5/16 X 4.75" | 1 |
| 2 | ASSY, FLASHING | 1 |
| 3 | ASSY, CAP | 1 |
| 4 | WASHER, EPDM BACKED | 1 |

FLASHFOOT 2

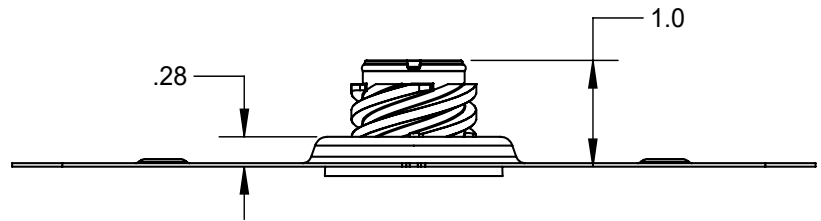
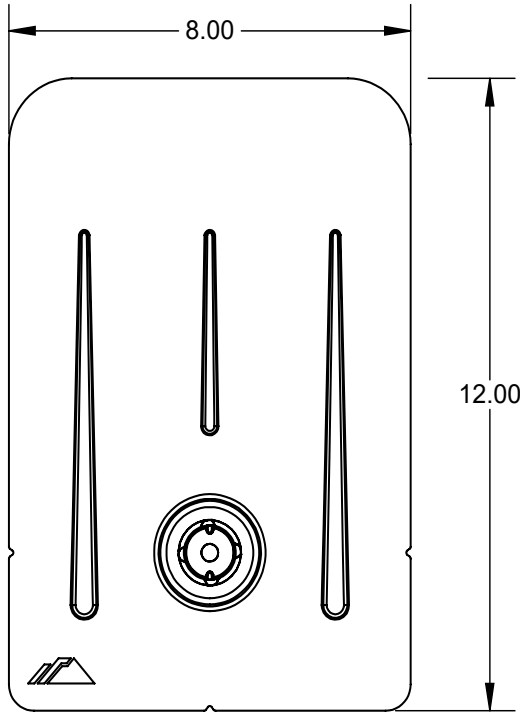
| Part Number | Description |
|-------------|---------------------|
| FF2-02-M2 | FlashFoot2® (Mill) |
| FF2-02-B2 | FlashFoot2® (Black) |

1) Bolt, Lag 5/16 x 4.75



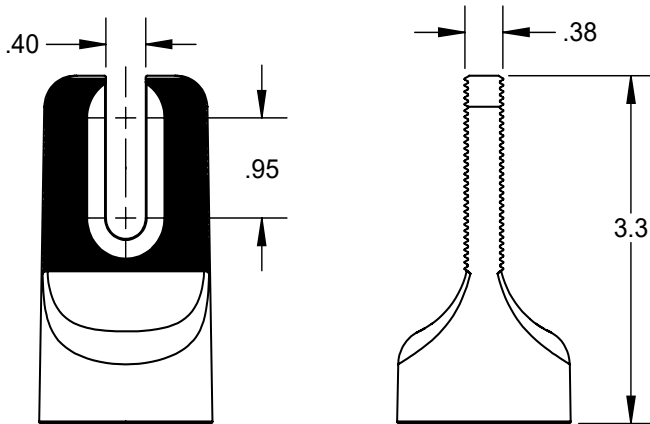
| Property | Value |
|----------|----------------------------|
| Material | 300 Series Stainless Steel |
| Finish | Clear |

2) Assy, Flashing



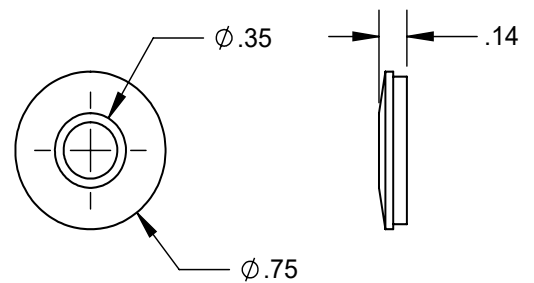
| Property | Value |
|----------|------------|
| Material | Aluminum |
| Finish | Mill/Black |

3) Assy, Cap



| Property | Value |
|----------|------------|
| Material | Aluminum |
| Finish | Mill/Black |

4) Washer, EPDM Backed



| Property | Value |
|----------|----------------------------|
| Material | 300 Series Stainless Steel |
| Finish | Clear |