

DESCRIPTION:

SNAPNRACK, UNIVERSAL WIRE CLAMP

DRAWN BY:

mwatkins

REVISION:

A

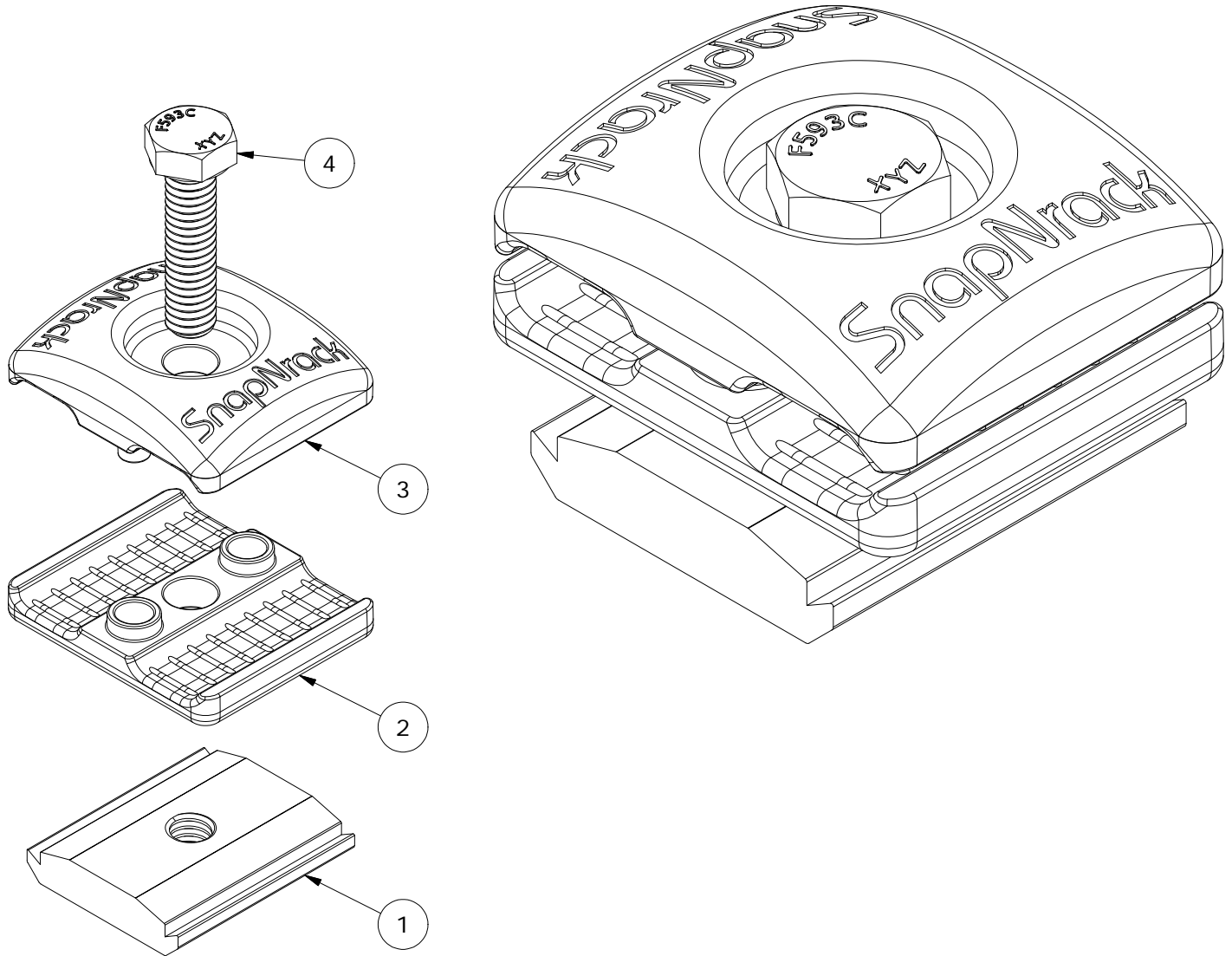
SnapNrack™
Solar Mounting Solutions

PART NUMBER(S):

242-02150

595 MARKET STREET, 29TH FLOOR • SAN FRANCISCO, CA 94105 USA
PHONE (415) 580-6900 • FAX (415) 580-6902

THE INFORMATION IN THIS DRAWING IS CONFIDENTIAL AND PROPRIETARY. ANY REPRODUCTION, DISCLOSURE, OR USE THEREOF IS PROHIBITED WITHOUT THE WRITTEN CONSENT OF SUNRUN SOUTH LLC.



PARTS LIST

ITEM	QTY	DESCRIPTION
1	1	SNAPNRACK CHANNEL NUT 5/16IN-18
2	1	SNAPNRACK, WIRE CLAMP BOTTOM, 1-4 CONDUCTOR, 0.21 - 0.45IN, PLASTIC
3	1	SNAPNRACK, WIRE CLAMP TOP, 1-4 CONDUCTOR, 0.21 - 0.45IN, PLASTIC
4	1	BOLT, HEX CAP, 5/16IN-18 X 1-1/4IN, SS

MATERIALS:

BLACK RYNITE, 6000 SERIES ALUMINUM, STAINLESS STEEL

DESIGN LOAD (LBS):

N/A

ULTIMATE LOAD (LBS):

N/A

TORQUE SPECIFICATION:

N/A LB-FT

CERTIFICATION:

N/A

WEIGHT (LBS):

0.13

DESCRIPTION:

SNAPNRACK, UNIVERSAL WIRE CLAMP

DRAWN BY:

mwatkins

REVISION:

A

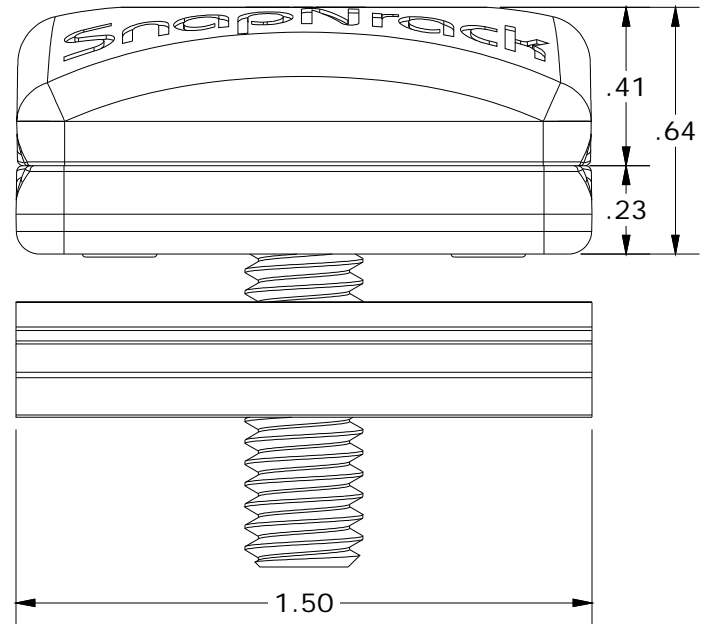
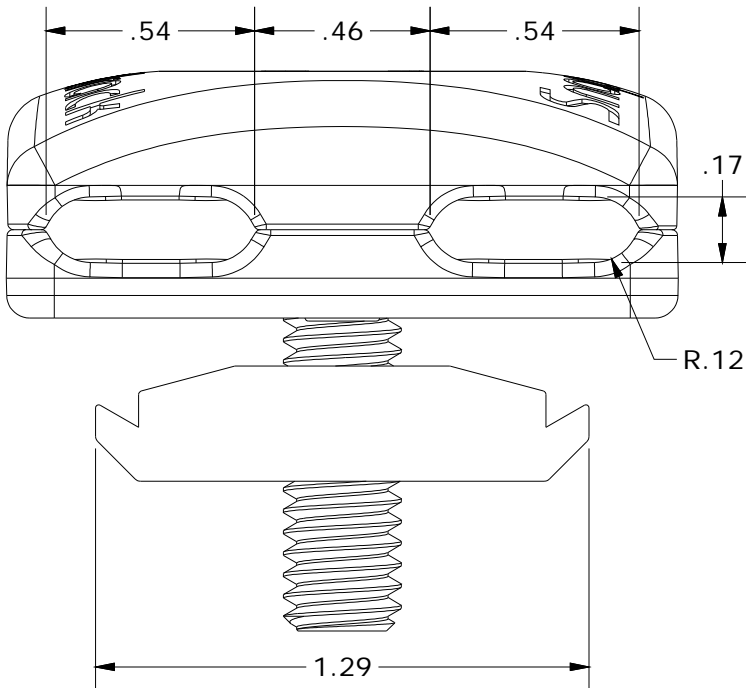
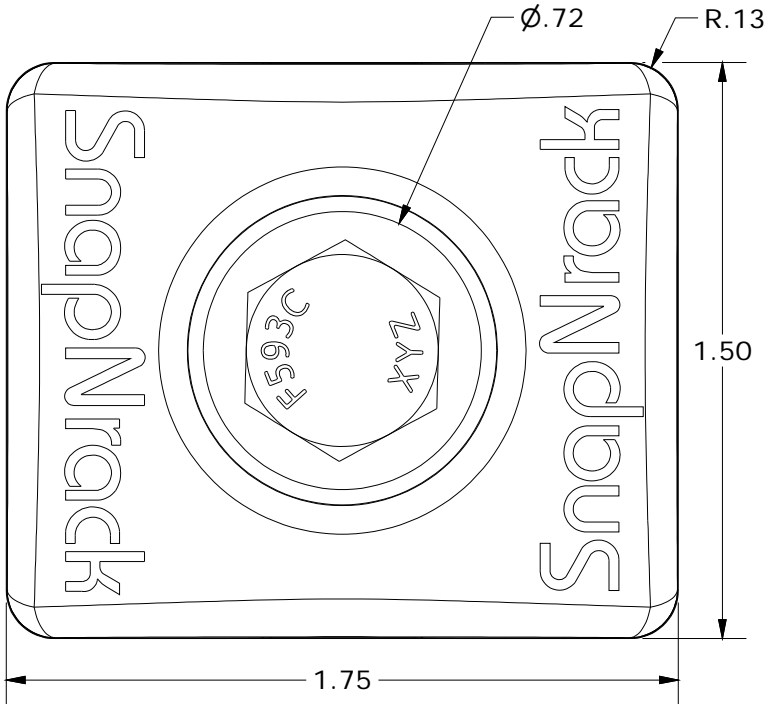
SnapNrack™
Solar Mounting Solutions

PART NUMBER(S):

242-02150

595 MARKET STREET, 29TH FLOOR • SAN FRANCISCO, CA 94105 USA
PHONE (415) 580-6900 • FAX (415) 580-6902

THE INFORMATION IN THIS DRAWING IS CONFIDENTIAL AND PROPRIETARY. ANY REPRODUCTION, DISCLOSURE, OR USE THEREOF IS PROHIBITED WITHOUT THE WRITTEN CONSENT OF SUNRUN SOUTH LLC.



ALL DIMENSIONS IN INCHES