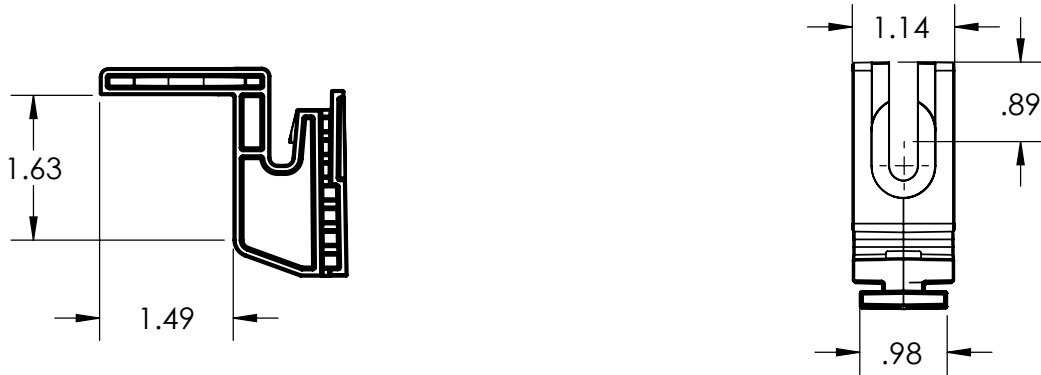


ITEM NO	DESCRIPTION	QTY IN KIT
1	RAIL-HANGER, J-BOX, BLK	1
2	QM, LID, J-BOX, BLK	1
3	THREAD FORMING SCREW FOR PLASTIC, #8 X .750", SS	2
4	HOUSING, J-BOX, BLK	1
5	#8-16 X 3/8" PHILLIPS DRIVE PAN HEAD	4
6	SCREW, PAN HEAD PHILLIPS, .250-20 UNC-2A X .625L	1

PART NUMBER	DESCRIPTION
QM-JBX-RL01-B1	JAYBOX, RAIL-MOUNTED

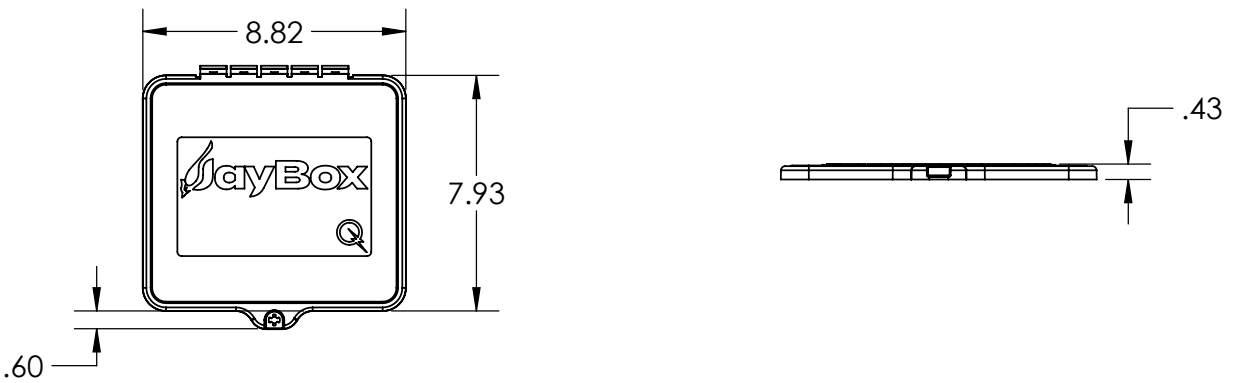


1) RAIL-HANGER, J-BOX, BLK



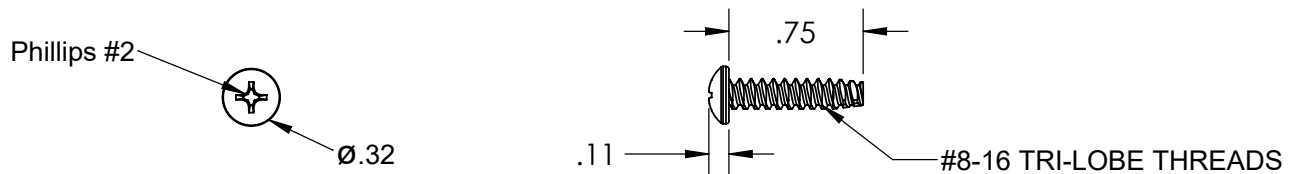
Property	Value
Material	NORYL
Finish	Black

2) QM, LID, J-BOX, BLK



Property	Value
Material	NORYL
Finish	Black

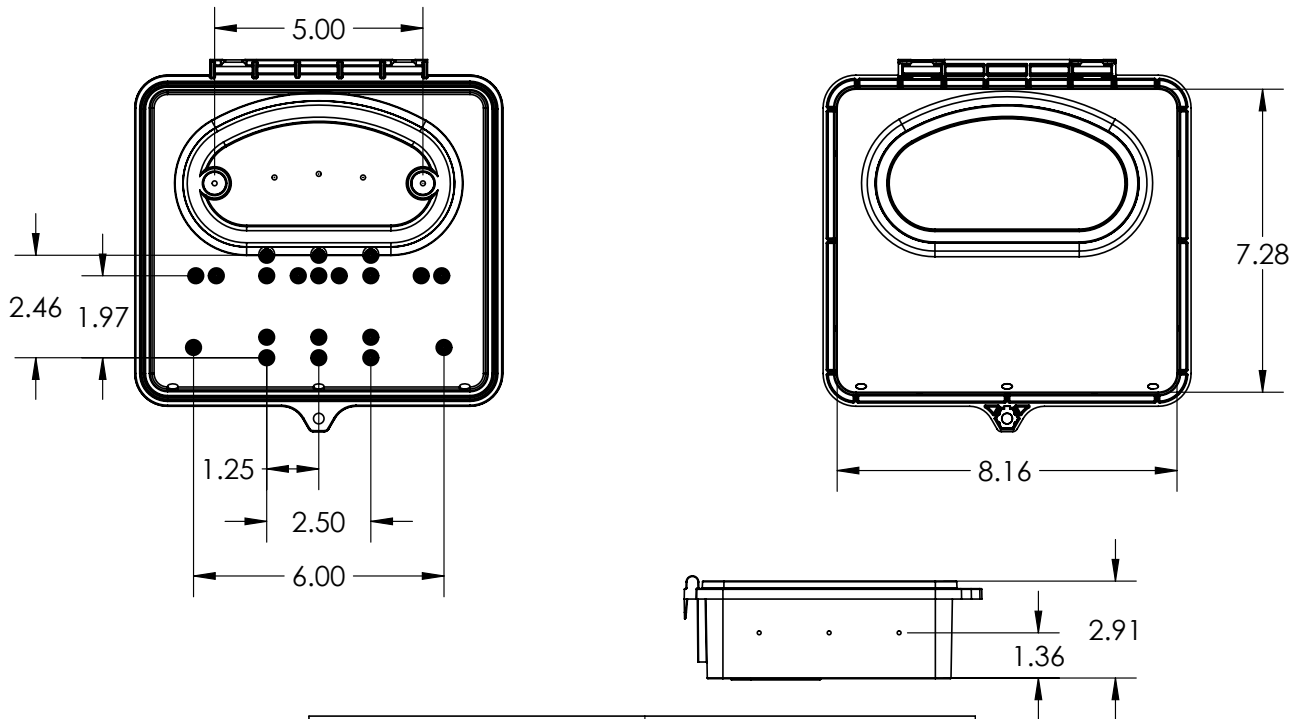
3) THREAD FORMING SCREW FOR PLASTIC, #8 X .750", SS



Property	Value
Material	300 Series Stainless Steel
Finish	Clear

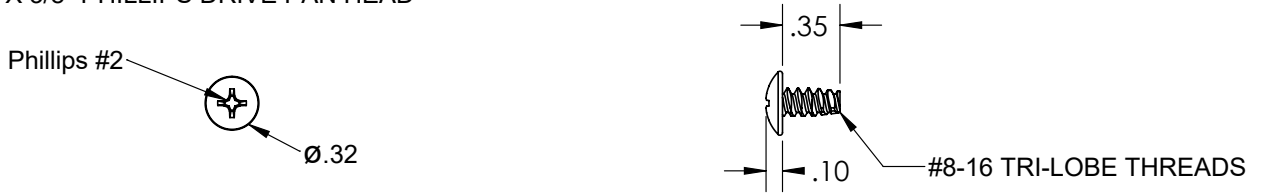


4) HOUSING, J-BOX, BLK



Property	Value
Material	NORYL
Finish	Black

5) #8-16 X 3/8" PHILLIPS DRIVE PAN HEAD



Property	Value
Material	300 Series Stainless Steel
Finish	Clear

6) SCREW, PAN HEAD PHILLIPS, .250-20 UNC-2A



Property	Value
Material	300 Series Stainless Steel
Finish	Clear

