
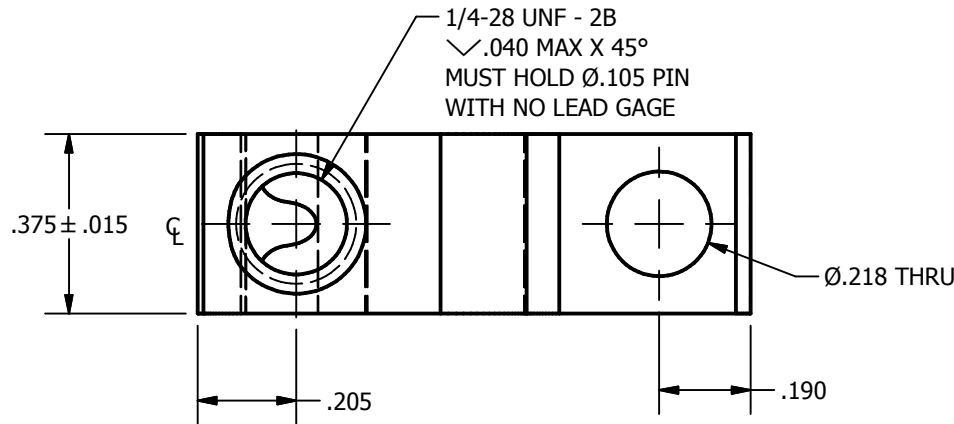
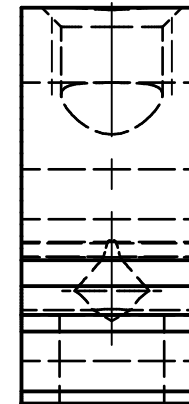
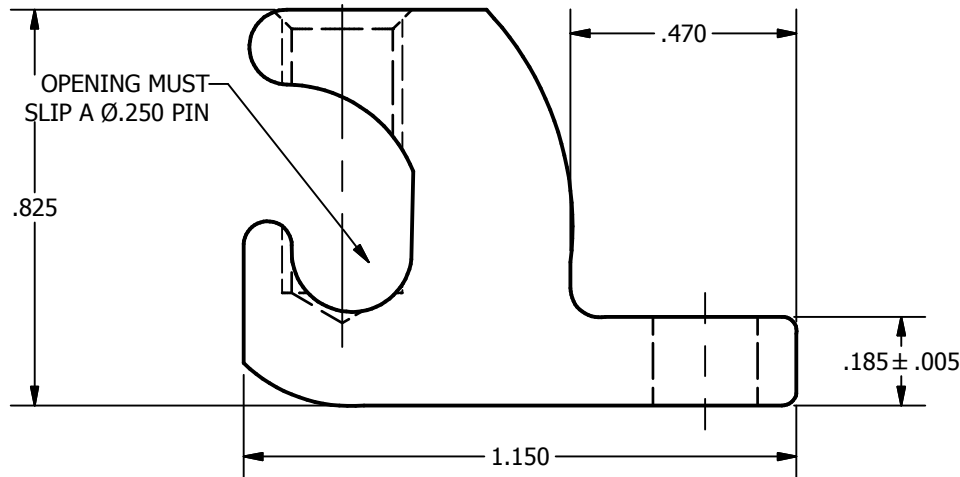
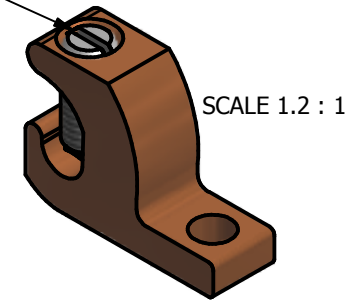





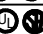

SCREW: SEE CHART	MATERIAL: COPPER, X0C7309	TOLERANCES-UNLESS OTHERWISE SPECIFIED 2 PL. DEC. ±.015 TRUE C.L. ±.015 3 PL. DEC. ±.010 ANGLES ±1		DWG. NO. G0977	
CAT. NO.:	PLATING: SEE CHART	DRAWN BY: CLH	SCALE: 3:1	SHEET 1 OF 1	
MASS: .052 LBS.	MARKING: SEE CHART	DATE: 7/27/2007	SIZE: A		
SURFACE AREA: 2.738 IN ²		CELL: ABM			
STUFFER SHT: FORM 12			REV.	DESCRIPTION	
			R		

Cat #: GBL-4DB



SEE CHART FOR
SCREW AND ASSY
INFORMATION



PART NUMBER	PLATING	SCREW	SCREW ASSY INSTRUCTIONS	MARKING
G0977A00B	BRIGHT DIP	E1276	FLUSH TO TOP	 GBL-4DB, 4-14, CU, DB 
G0977A00T	EL-TIN	E1276	FLUSH TO TOP	 GBL-4DBT, 4-14, CU, DB 
G0977A01T	EL-TIN	E1469	SNUG TO BOTTOM	 GBL-4DBT, 4-14, CU, DB 