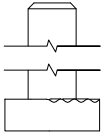


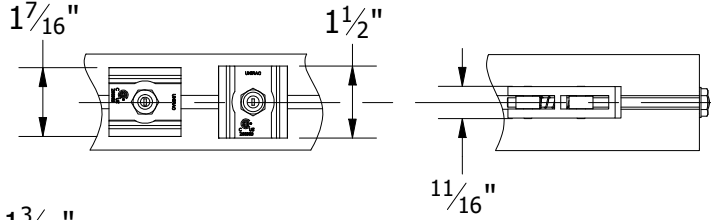
TOP VIEW

INSTALLED T-BOLT MARK MUST ALWAYS FACE NORTH - SOUTH

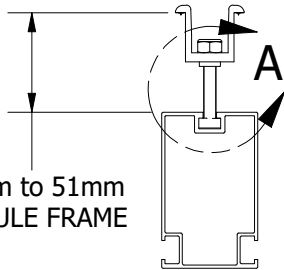
PART # TABLE	
P/N	DESCRIPTION
302040M	PRO ENDCLAMP
302030M	MILL PRO MIDCLAMP
302030D	DARK PRO MIDCLAMP



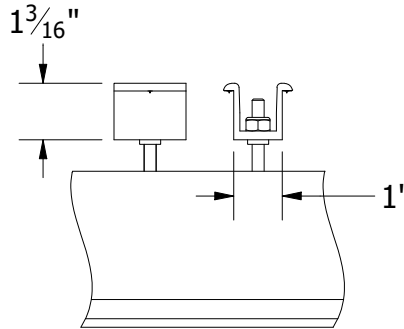
DETAIL A



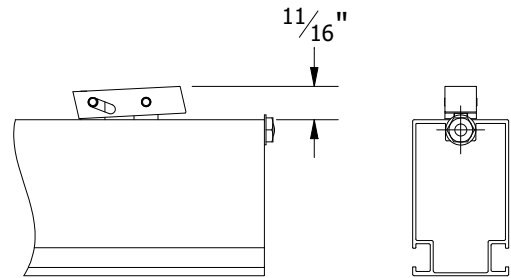
11/16"



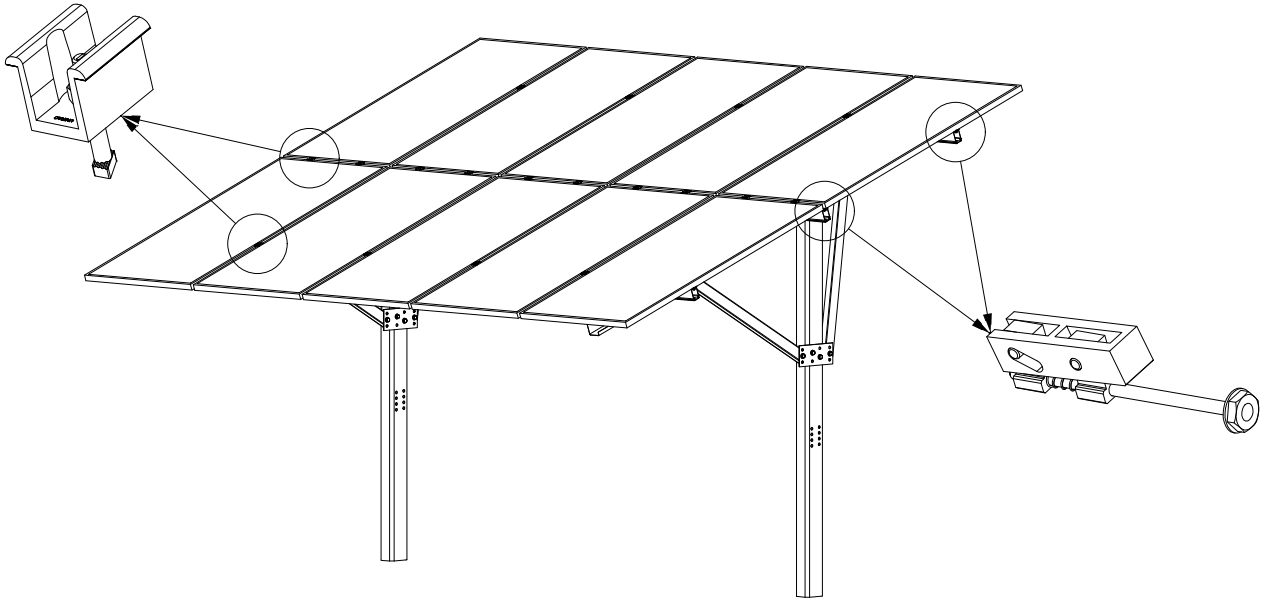
30mm to 51mm
MODULE FRAME



PRO SERIES MIDCLAMP



PRO SERIES ENDCLAMP



1411 BROADWAY BLVD. NE
ALBUQUERQUE, NM 87102 USA
PHONE: 505.242.6411
WWW.UNIRAC.COM

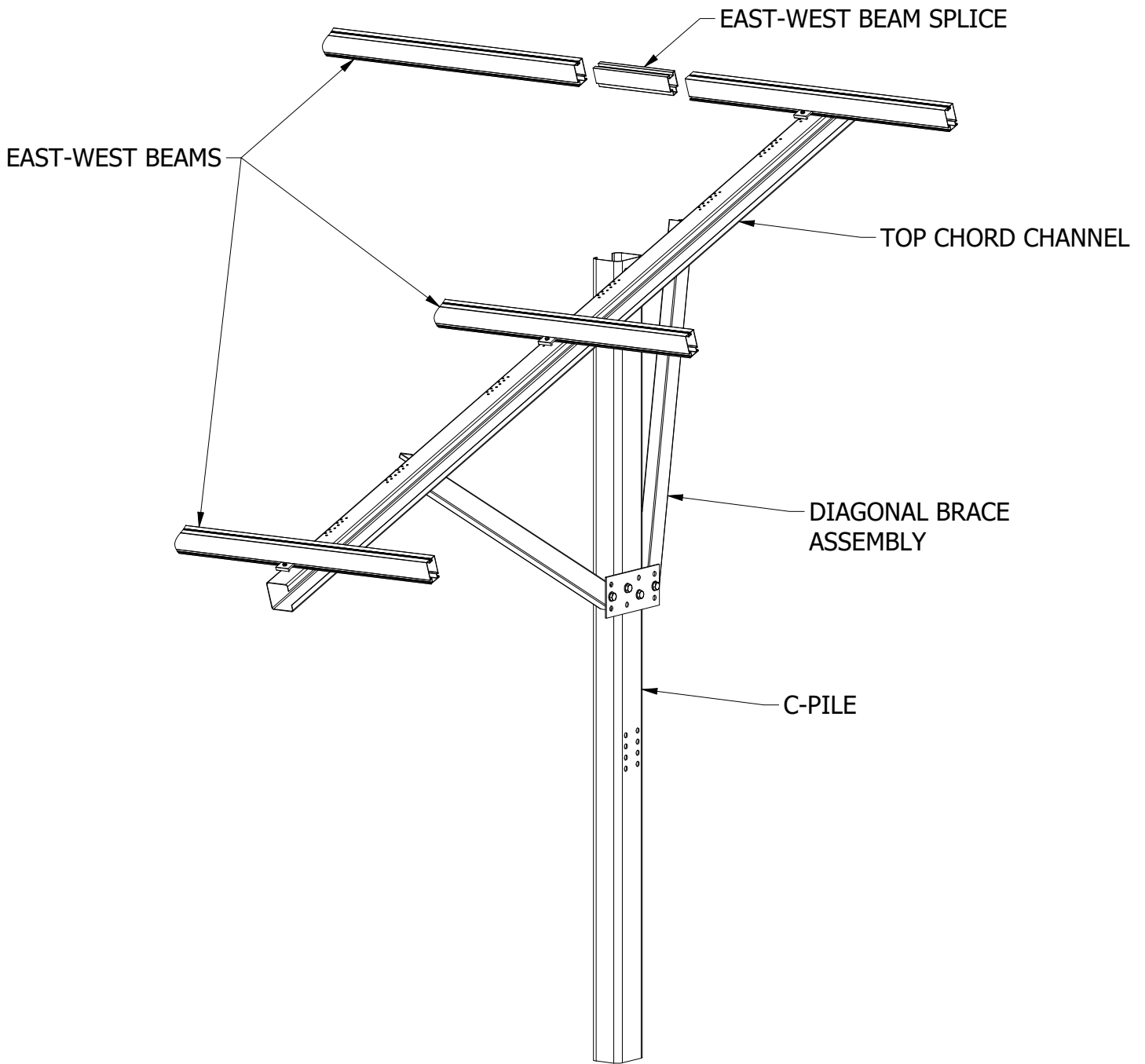
PRODUCT LINE:	GFT
DRAWING TYPE:	ASSEMBLY DETAIL
DESCRIPTION:	PRO SERIES BONDING CLAMPS
REVISION DATE:	10/23/2019

DRAWING NOT TO SCALE
ALL DIMENSIONS ARE
NOMINAL

PRODUCT PROTECTED BY
ONE OR MORE US PATENTS
LEGAL NOTICE

GFT-A01

SHEET



1411 BROADWAY BLVD. NE
 ALBUQUERQUE, NM 87102 USA
 PHONE: 505.242.6411
 WWW.UNIRAC.COM

PRODUCT LINE:	GFT
DRAWING TYPE:	ASSEMBLY
DESCRIPTION:	COMPONENTS
REVISION DATE:	10/23/2019

DRAWING NOT TO SCALE
 ALL DIMENSIONS ARE
 NOMINAL

PRODUCT PROTECTED BY
 ONE OR MORE US PATENTS

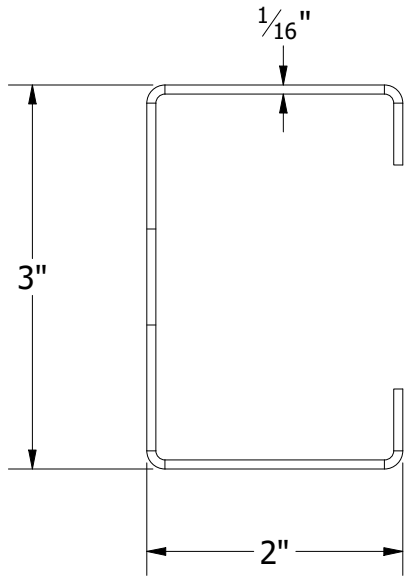
LEGAL NOTICE

GFT-A02

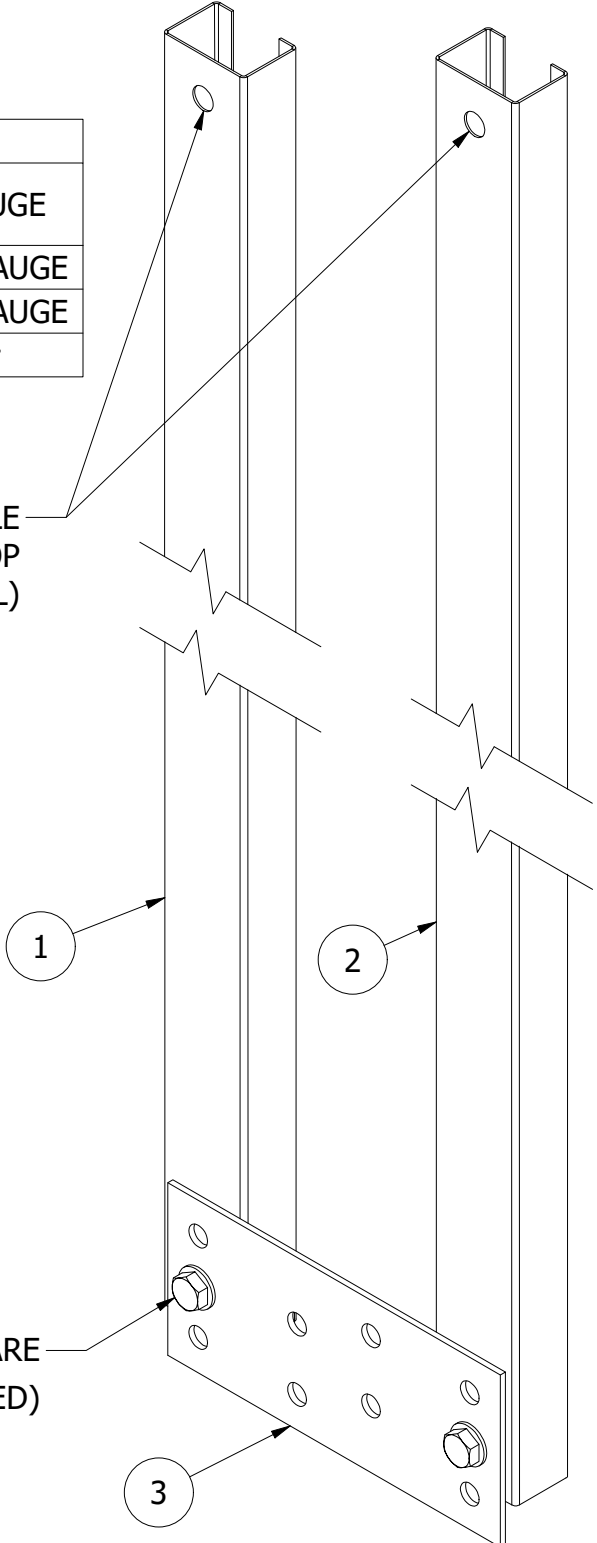
SHEET

ASSEMBLY # TABLE	
P/N	DESCRIPTION
404031	20° DIAGONAL BRACE ASSEMBLY

PARTS LIST				
ITEM	QTY	DESCRIPTION	LENGTH	GAUGE
1	1	FRONT DIAGONAL BRACE	4'-5 3/4"	14 GAUGE
2	1	REAR DIAGONAL BRACE	4'-2"	14 GAUGE
3	1	DIAGONAL BRACE PLATE	-	-



2X - BOLT HOLE
 (ATTACHES TO TOP
 CHORD CHANNEL)



Ø 5/8" HARDWARE
 (PRE-ASSEMBLED)

UNIRAC[®]
 1411 BROADWAY BLVD. NE
 ALBUQUERQUE, NM 87102 USA
 PHONE: 505.242.6411
 WWW.UNIRAC.COM

PRODUCT LINE:	GFT
DRAWING TYPE:	ASSEMBLY DETAIL
DESCRIPTION:	20° DIAGONAL BRACE ASSEMBLY
REVISION DATE:	10/23/2019

DRAWING NOT TO SCALE
 ALL DIMENSIONS ARE
 NOMINAL

PRODUCT PROTECTED BY
 ONE OR MORE US PATENTS

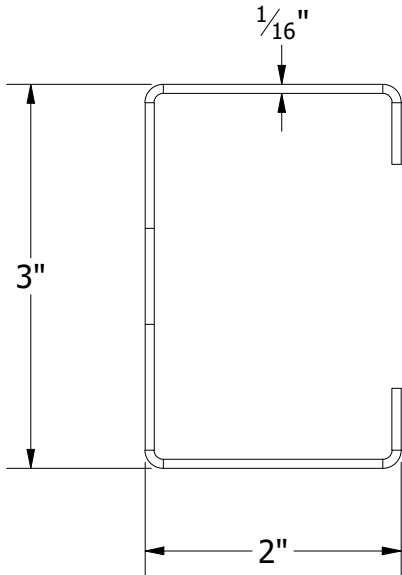
LEGAL NOTICE

GFT-A03

SHEET

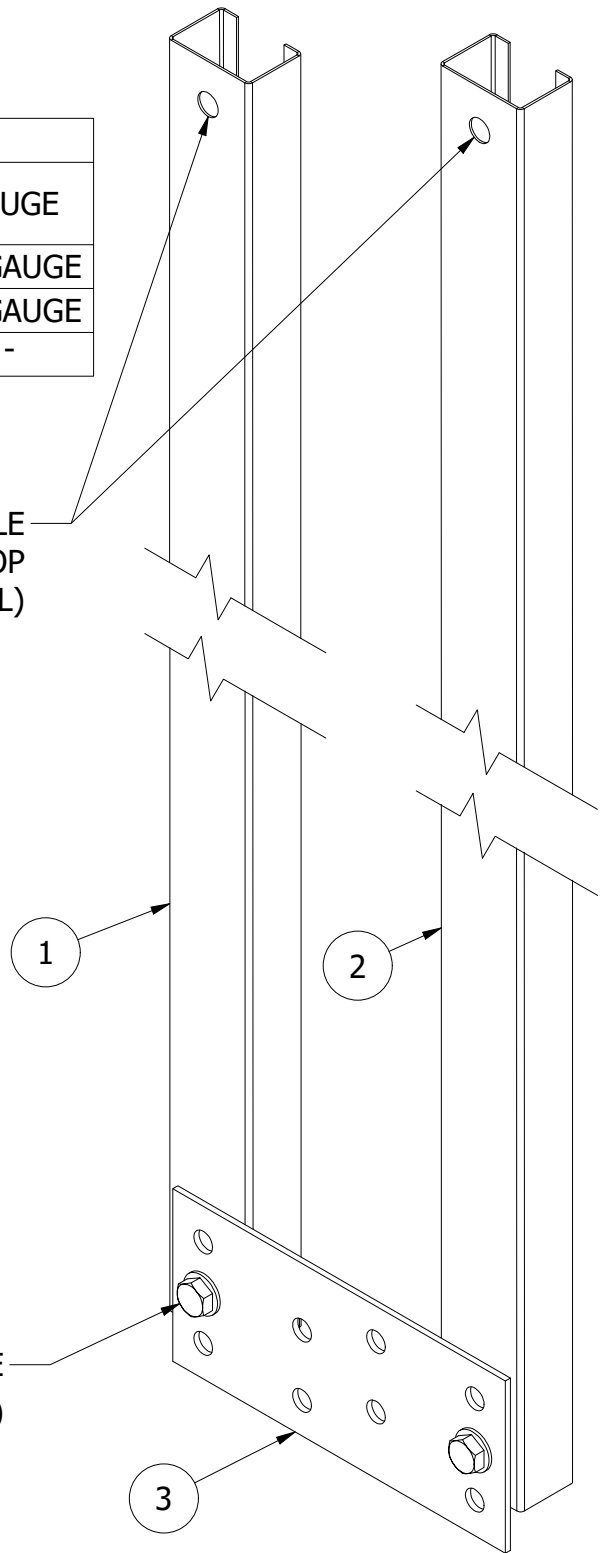
ASSEMBLY # TABLE	
P/N	DESCRIPTION
404032	30° DIAGONAL BRACE ASSEMBLY

PARTS LIST				
ITEM	QTY	DESCRIPTION	LENGTH	GAUGE
1	1	FRONT DIAGONAL BRACE	4'-10 1/8"	14 GAUGE
2	1	REAR DIAGONAL BRACE	6'-1 3/8"	14 GAUGE
3	1	DIAGONAL BRACE PLATE	-	-



2X - BOLT HOLE
(ATTACHES TO TOP
CHORD CHANNEL)

Ø 5/8" HARDWARE
(PRE-ASSEMBLED)



1411 BROADWAY BLVD. NE
 ALBUQUERQUE, NM 87102 USA
 PHONE: 505.242.6411
 WWW.UNIRAC.COM

PRODUCT LINE:	GFT
DRAWING TYPE:	ASSEMBLY DETAIL
DESCRIPTION:	30° DIAGONAL BRACE ASSEMBLY
REVISION DATE:	10/23/2019

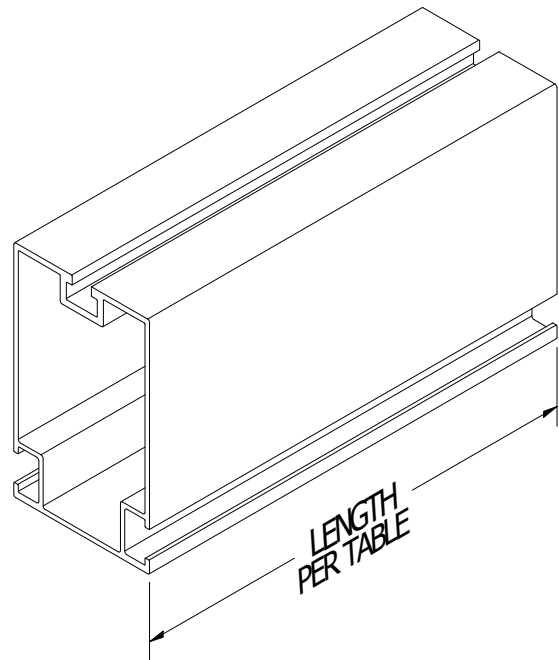
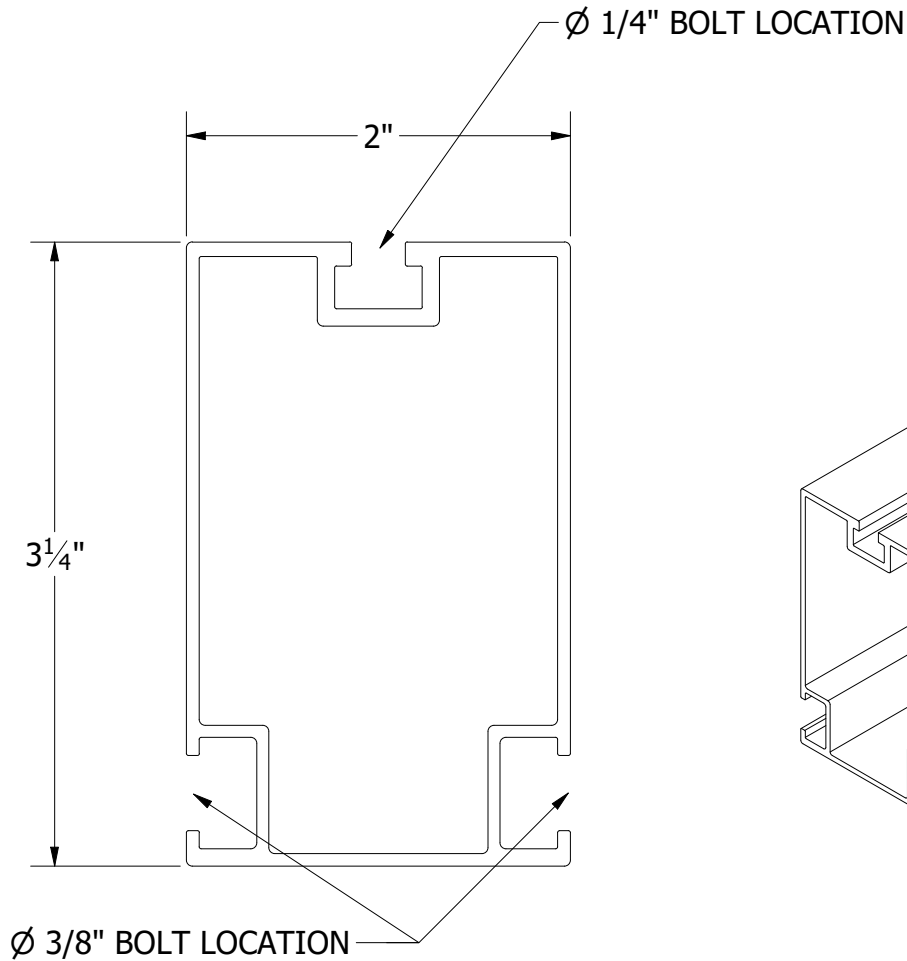
DRAWING NOT TO SCALE
 ALL DIMENSIONS ARE
 NOMINAL

PRODUCT PROTECTED BY
 ONE OR MORE US PATENTS
 LEGAL NOTICE

GFT-A04

SHEET

PART # TABLE		
P/N	DESCRIPTION	LENGTH
411166M	MILL EAST-WEST BEAM 166 IN	13'-10"
411246M	MILL EAST-WEST BEAM 246 IN	20'-6"



1411 BROADWAY BLVD. NE
ALBUQUERQUE, NM 87102 USA
PHONE: 505.242.6411
WWW.UNIRAC.COM

PRODUCT LINE:	GFT
DRAWING TYPE:	PART DETAIL
DESCRIPTION:	EAST-WEST BEAM
REVISION DATE:	10/23/2019

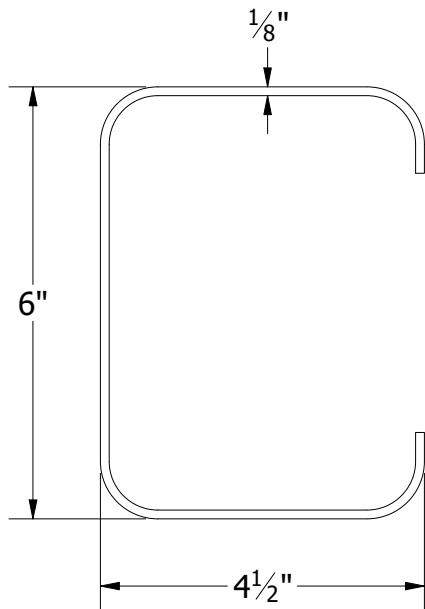
DRAWING NOT TO SCALE
ALL DIMENSIONS ARE
NOMINAL

PRODUCT PROTECTED BY
ONE OR MORE US PATENTS
LEGAL NOTICE

GFT-P01

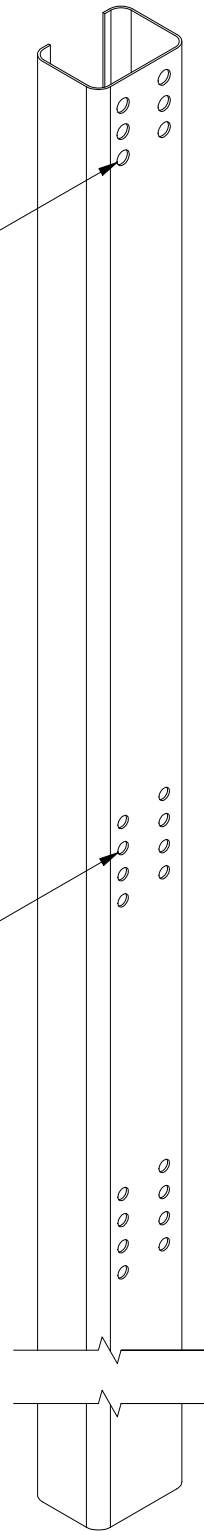
SHEET

PART # TABLE			
P/N	DESCRIPTION	LENGTH	GAUGE
404001	12.5 FT C-PILE	12'-6"	11 GAUGE
404002	15 FT C-PILE	15'	11 GAUGE



TOP CHORD ATTACHMENT POINT
(6 BOLT HOLE PATTERN)

DIAGONAL BRACE PLATE
ATTACHMENT POINT
(2X - 8 BOLT HOLE PATTERN)



NOTE: SEE CONSTRUCTION
DRAWINGS FOR IMBEDMENT DEPTH
AND FOUNDATION OPTIONS.



1411 BROADWAY BLVD. NE
ALBUQUERQUE, NM 87102 USA
PHONE: 505.242.6411
WWW.UNIRAC.COM

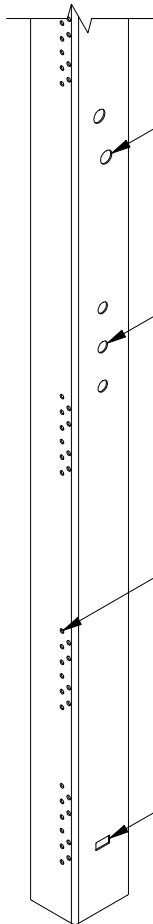
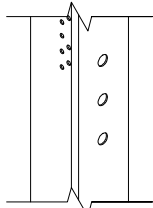
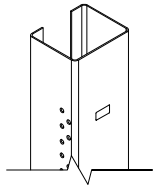
PRODUCT LINE:	GFT
DRAWING TYPE:	PART DETAIL
DESCRIPTION:	C-PILE
REVISION DATE:	10/23/2019

DRAWING NOT TO SCALE
ALL DIMENSIONS ARE
NOMINAL

PRODUCT PROTECTED BY
ONE OR MORE US PATENTS
LEGAL NOTICE

GFT-P02
SHEET

PART # TABLE			
P/N	DESCRIPTION	LENGTH	GAUGE
404036	TOP CHORD CHANNEL	11'-6 5/8"	14 GAUGE

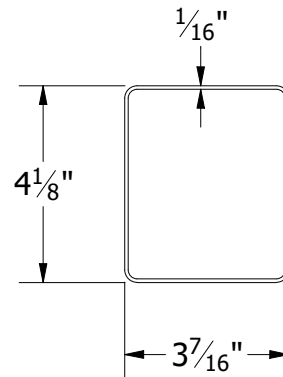


C-PILE ATTACHMENT POINT
(2 BOLT HOLE PATTERN)

DIAGONAL BRACE ATTACHMENT POINT
(2X - 3 BOLT HOLE PATTERN)

EAST - WEST BEAM ATTACHMENT
HOLE PACKS

MANUFACTURING SLOT
(NOT USED)



1411 BROADWAY BLVD. NE
ALBUQUERQUE, NM 87102 USA
PHONE: 505.242.6411
WWW.UNIRAC.COM

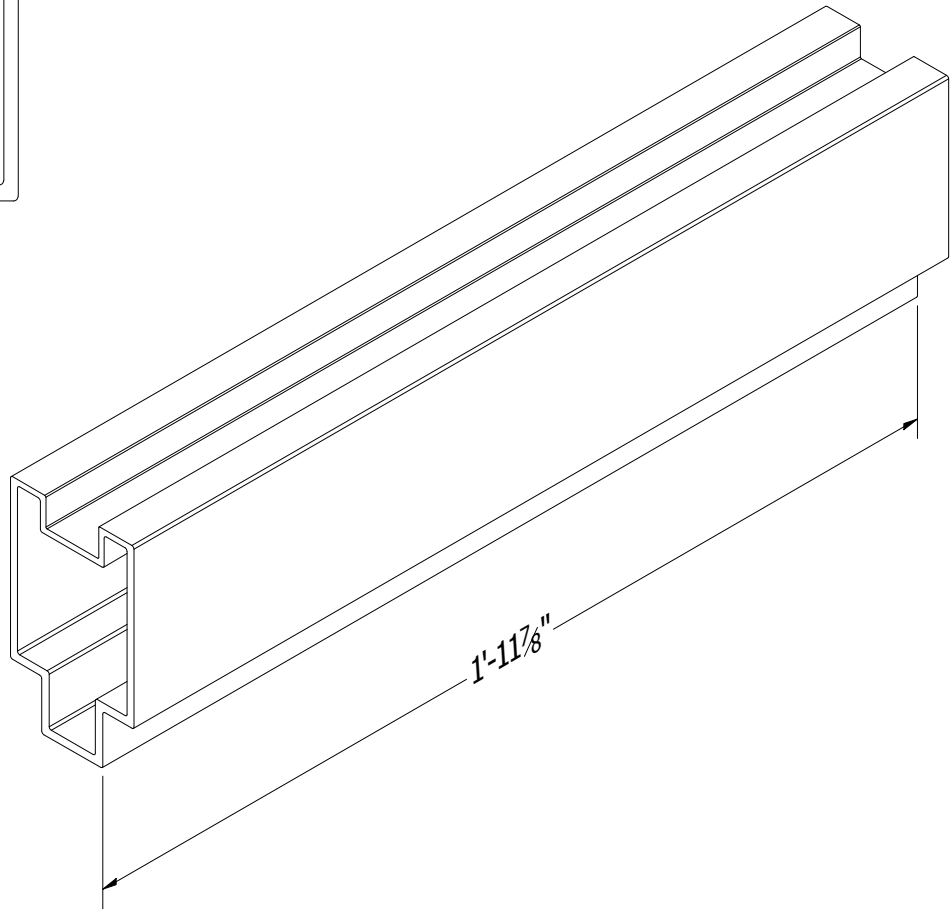
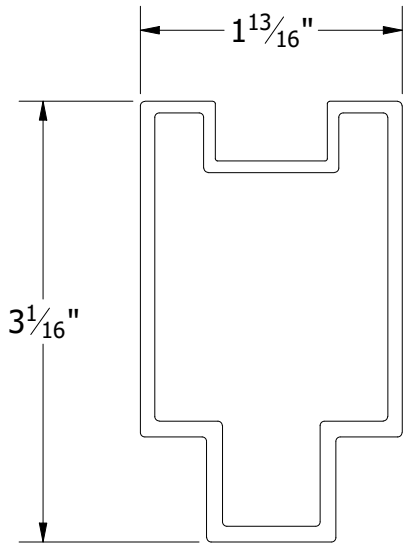
PRODUCT LINE:	GFT
DRAWING TYPE:	PART DETAIL
DESCRIPTION:	TOP CHORD CHANNEL
REVISION DATE:	10/23/2019

DRAWING NOT TO SCALE
ALL DIMENSIONS ARE
NOMINAL

PRODUCT PROTECTED BY
ONE OR MORE US PATENTS
LEGAL NOTICE

GFT-P03
SHEET

PART # TABLE	
P/N	DESCRIPTION
404014	EAST-WEST BEAM SPLICE



1411 BROADWAY BLVD. NE
 ALBUQUERQUE, NM 87102 USA
 PHONE: 505.242.6411
 WWW.UNIRAC.COM

PRODUCT LINE:	GFT
DRAWING TYPE:	PART DETAIL
DESCRIPTION:	EAST-WEST BEAM SPLICE
REVISION DATE:	10/23/2019

DRAWING NOT TO SCALE
 ALL DIMENSIONS ARE
 NOMINAL

PRODUCT PROTECTED BY
 ONE OR MORE US PATENTS

LEGAL NOTICE

GFT-P04

SHEET