


## DIN rail perforated - NS 35/ 7,5 PERF 2000MM - 0801733

Please be informed that the data shown in this PDF Document is generated from our Online Catalog. Please find the complete data in the user's documentation. Our General Terms of Use for Downloads are valid (<http://phoenixcontact.com/download>)



DIN rail perforated, acc. to EN 60715, material: Steel, galvanized, passivated with a thick layer, Standard profile, color: silver, Pack of 25 (50 m)

### Key Commercial Data

Packing unit	1 M
Minimum order quantity	5 M
GTIN	 4 017918 006686
GTIN	4017918006686
Weight per Piece (excluding packing)	1.000 g
Custom tariff number	72166190
Country of origin	China

### Technical data

#### Dimensions

Height	7.5 mm
Length	2000 mm
Width	35 mm
Hole width	15 mm
Hole height	6.2 mm
Drill hole spacing	25 mm

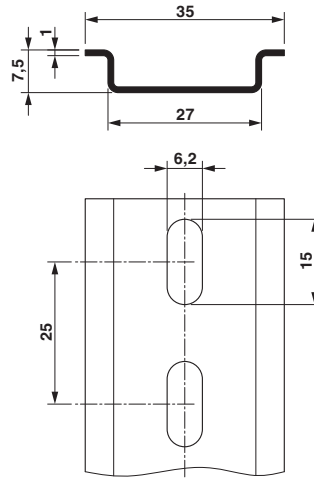
#### Standards and Regulations

Test standard	acc. to EN 60715
Connection in acc. with standard	IEC / EN

# DIN rail perforated - NS 35/ 7,5 PERF 2000MM - 0801733

## Drawings

Dimensional drawing



## Classifications

### eCl@ss

eCl@ss 10.0.1	27400602
eCl@ss 11.0	27400602
eCl@ss 4.0	27110800
eCl@ss 4.1	27110800
eCl@ss 5.0	27141100
eCl@ss 5.1	27141100
eCl@ss 6.0	27400600
eCl@ss 7.0	27400602
eCl@ss 9.0	27400602

### ETIM

ETIM 2.0	EC001285
ETIM 3.0	EC001285
ETIM 4.0	EC000212
ETIM 6.0	EC001285
ETIM 7.0	EC001285

### UNSPSC

UNSPSC 6.01	30212109
UNSPSC 7.0901	39121708
UNSPSC 11	39121708

## DIN rail perforated - NS 35/ 7,5 PERF 2000MM - 0801733

### Classifications

#### UNSPSC

UNSPSC 12.01	39121708
UNSPSC 13.2	39121708
UNSPSC 18.0	39121708
UNSPSC 19.0	39121708
UNSPSC 20.0	39121708
UNSPSC 21.0	39121708